

NUMATICS®

70 & 72 Series



www.numatics.com


EMERSON
Industrial Automation

BCAE
Automation Solutions

青岛秉诚自动化设备有限公司
地址：中国·青岛市重庆南路99号海尔云街甲3号楼7F

服务热线：4006-918-365
网址：<http://www.ivalve.cc>

传真：(86-532)585-10-365
Email：sales@bechinas.com

70 & 72 Series

Features and Benefits	3
Particulate Filter - 72 Series	4
Coalescing Filter - 72 Series	5
Regulator - 72 Series	6
Particulate Filter/Regulator - 72 Series	7
Coalescing Filter/Regulator - 72 Series	8
Particulate Filter - 70 Series	9
Coalescing Filter - 70 Series	10
Regulator - 70 Series	11
Particulate Filter/Regulator - 70 Series	12
Lubricator - 70 Series	13
Replacement Parts and Kits	14



70 & 72 Series

Stainless Steel Series

- Two Series Available – High Flow and Miniature
- 316 Stainless Steel Construction
- Two port sizes (1/4 & 1/2)
- FKM Seals
- 5 Micron Filter Element
- Three Grades Coalescing - One Adsorbing
- Meets NACE Specifications
- High Flow in a Compact Size

F72 Series

Particulate air filters are designed to separate liquid, water, rust, pipe scale, and debris from air lines. They should be installed upstream of the regulator to prevent contamination from reaching other components.

Water is removed mechanically by the deflector which causes the air to move in a swirling motion. The condensed water droplets are then centrifugally impounded upon the ID of the bowl then fall down past the quiet zone baffle to the water sump. Dry air passes through the sintered element utilizing depth filtration and removes debris down to specified micron size.

Features

- 316 stainless steel body construction
- All seals made of Fluorocarbon (FKM)
- Meets NACE specifications
- Internal plastic parts
- Acetal and ABS
- Element Polyethylene

Specifications

Max. Pressure: 300 PSIG (20 bar)
Temperature Range: 40° to 180° F (4° to 82° C)

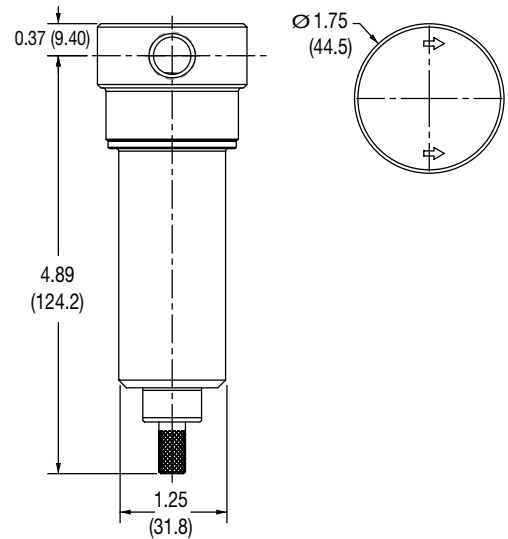
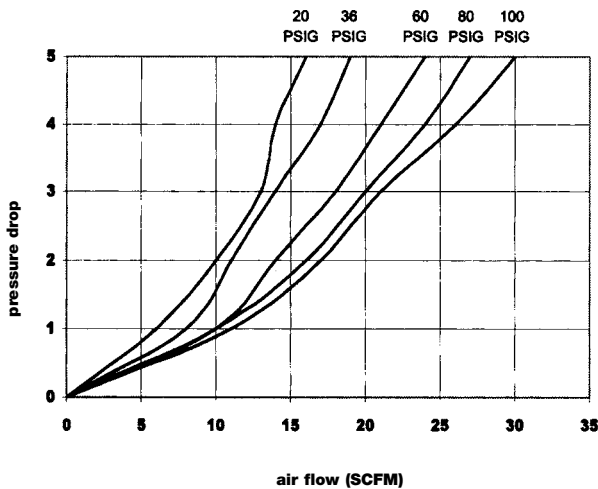


ANSI SYMBOL



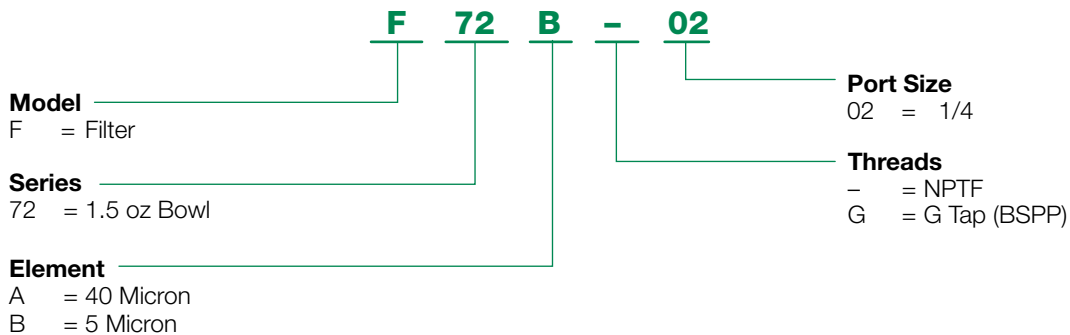
F72B-02 pictured

Flow Rates



Dimensions: Inches (mm)

How to Order



F72 Series

The coalescing filter is utilized when either clean air is required or longer component life is desired. This type of filter removes water and oil aerosols. It works differently than the particulate filter; dirty air enters the element from the center and passes through a field of glass fibers which cause the aerosols to form into droplets which are heavier than the surrounding air. The droplets grow larger as they pass through the element and gravity causes the oil drops to drain to the sump of the bowl. To maximize the life of a coalescing filter it should always be used after a 5 micron particulate filter or with the optional prefilter.

Features

- 316 stainless steel body construction
- All seals made of Fluorocarbon (FKM)
- Meets NACE specifications
- Internal plastic parts
- Acetal and ABS
- Element: Vacuum formed borosilicate glass fibers
- Cartridge element design
- Inner and outer support cores prevent element from crushing in either flow direction

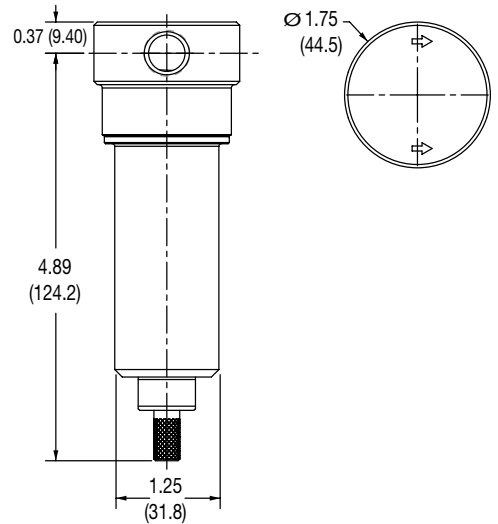
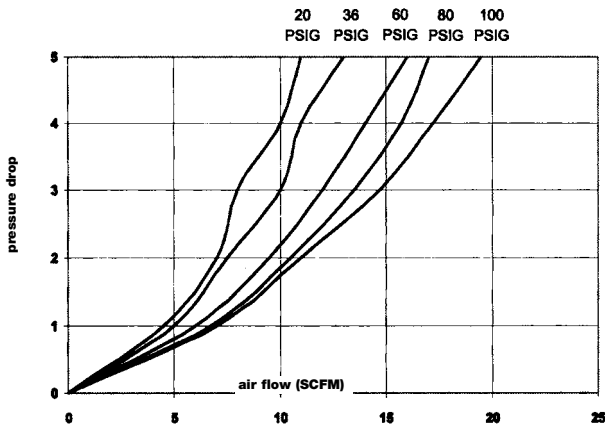


F72D-02 pictured

Specifications

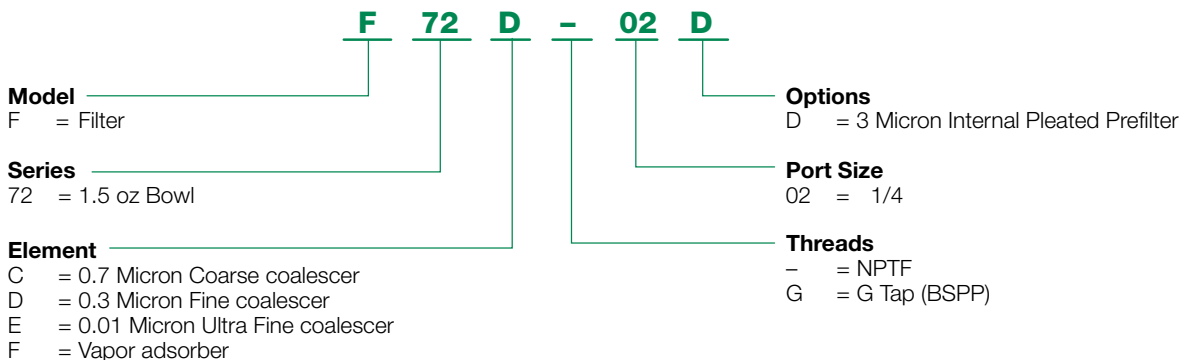
Max. Pressure: 300 PSIG (20 bar)
 Temperature Range: 40° to 180° F (4° to 82° C)

Flow Rates



Dimensions: Inches (mm)

How to Order



R72 Series

Regulators are used to reduce pressure to a required working pressure. Utilizing optimum pressure can save companies both component life and many dollars in compressed air costs.

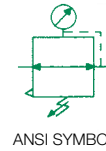
Regulators consist of a diaphragm which floats between a main spring (top) and a valve (bottom). By turning the adjustment knob clockwise, the main spring is forced onto the rubber diaphragm which, in turn, is pressed onto the valve stem. When the spring pressure becomes greater than the air pressure in the control chamber below the diaphragm, the valve is forced down and flow begins. As flow continues, the pressure begins to build and air, via the aspirator tube, fills the control chamber and forces the diaphragm upward. As forces balance, the small spring under the valve piston causes the valve to close. The cycle continues in a balanced process of reducing or increasing flow based upon the downstream pressure.

Features

- 316 stainless steel body construction
- All seals made of Fluorocarbon (FKM)
- Standard output pressure 0-125 PSIG
- Meets NACE specifications
- Bonnet and Knob Acetal
- Internal Metal Parts
- Valve Stainless Steel
- Springs - Stainless Steel

Specifications

Max. Pressure: 300 PSIG (20 bar)
Temperature Range: 40° to 180° F (4° to 82° C)

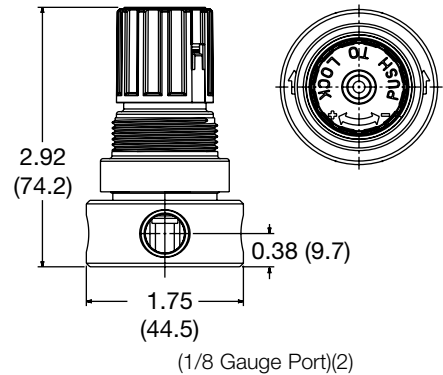
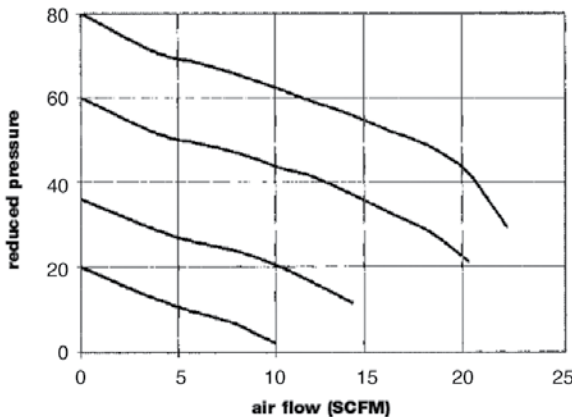


ANSI SYMBOL



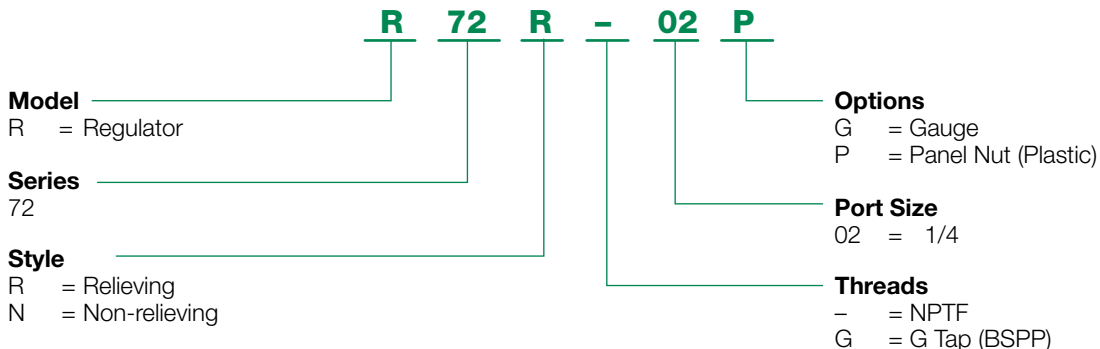
R72R-02 pictured

Flow Rates



Dimensions: Inches (mm)

How To Order

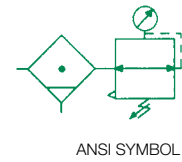


P72 Series

The integral filter/regulator ('piggyback') is a two station component designed to filter and regulate compressed air when cost and space are of primary concern. As wet, dirty air enters, it immediately flows through the air deflector, causing the air to move in a swirling motion. After condensed water is centrifugally removed, air passes through the filter and into the regulator. The high pressure of the air is systematically reduced via the adjustment spring and valve and exits the housing as clean and dry air that is ready to work at the specified pressure.

Features

- 316 stainless steel body construction
- All seals made of Fluorocarbon (FKM)
- 0-125 PSI standard
- Meets NACE specifications
- Bonnet and Knob Acetal
- Internal plastic parts
- Acetal and ABS
- Element Polyethylene
- Internal Metal Parts
- Valve Stainless Steel
- Springs - Stainless Steel

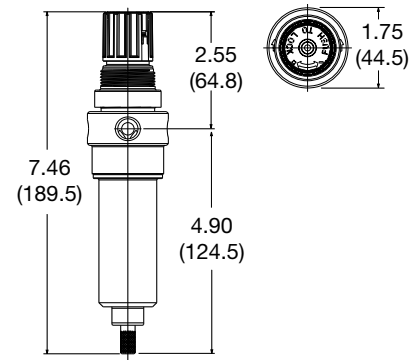
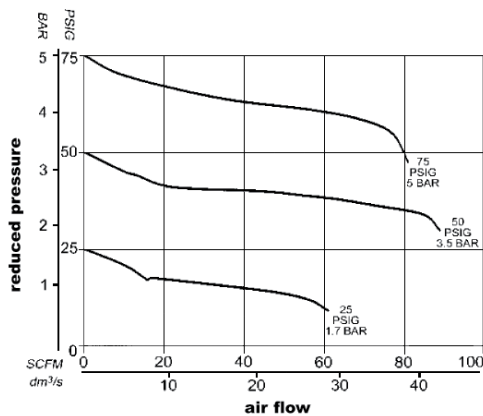


P72B-02 pictured

Specifications

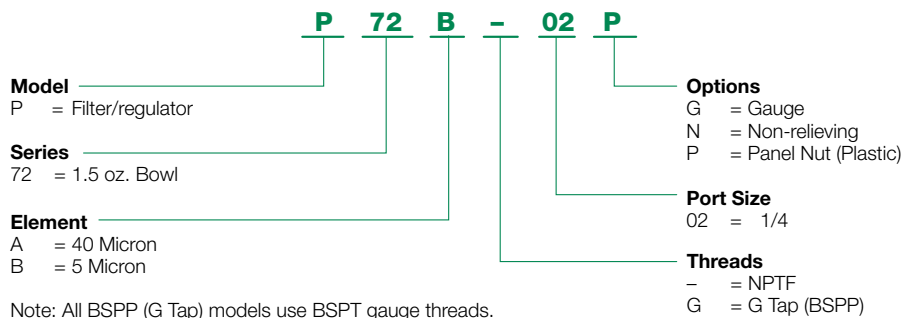
Max. Pressure: 300 PSIG (20 bar)
 Temperature Range: 40° to 180° F (4° to 82° C)

Flow Rates



Dimensions: Inches (mm)

How To Order

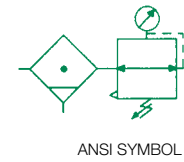


C72 Series

The Numatics C Series Coalescer/Regulator is a two station point of use air preparation system designed to provide superior filtration and regulation in one compact housing. The C Series combines a multiple support cartridge style borosilicate glass element with a regulator to assure the maximum performance of downstream components. Available with four different element grade choices, the C Series Coalescer/Regulator can be outfitted to attack and remove the exact type of contamination that is critical to a specific application.

Features

- 316 stainless steel body construction
- All seals made of Fluorocarbon (FKM)
- 0-125 PSI standard
- Meets NACE specifications
- Bonnet and Knob Acetal
- Internal plastic parts
- Acetal and ABS
- Element: Vacuum formed borosilicate glass fibers
- Internal Metal Parts
- Valve Stainless Steel
- Springs - Stainless Steel

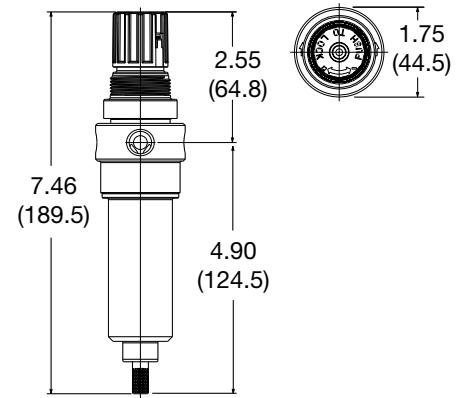
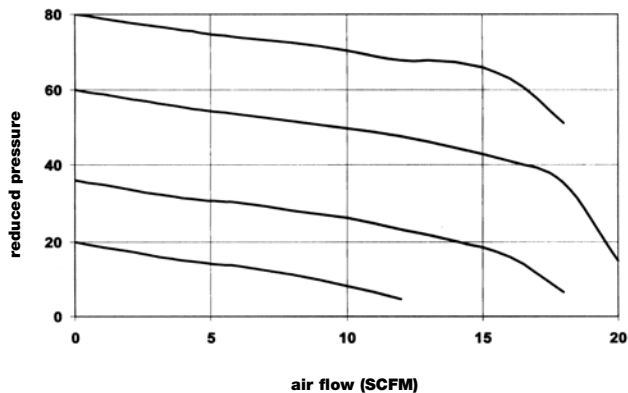


C72D-02 pictured

Specifications

Max. Pressure: 300 PSIG (20 bar)
Temperature Range: 40° to 180° F (4° to 82° C)

Flow Ratings (based on 100 PSI inlet)



How To Order

Model C = Coalescer/Regulator

Series 72 = 1.5 oz. Bowl

Element C = 0.7 Micron Coarse coalescer
D = 0.3 Micron Fine coalescer
E = 0.01 Micron Ultra Fine coalescer
F = D = Vapor adsorber

Options D = 3 Micron Internal Pleated Prefilter
G = Gauge
N = Non-relieving
P = panel mount nut

Port Size 02 = 1/4

Threads - = NPTF
G = G Tap (BSPP)

Note: All BSPP (G tap) models use BSPT gauge threads.

F70B Series

- 316 Stainless Steel Body Construction
- All Seals Made of Fluorocarbon (FKM)
- 5 Micron Element Standard
- Meets NACE Specifications

Specifications

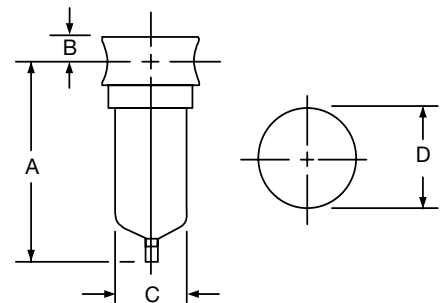
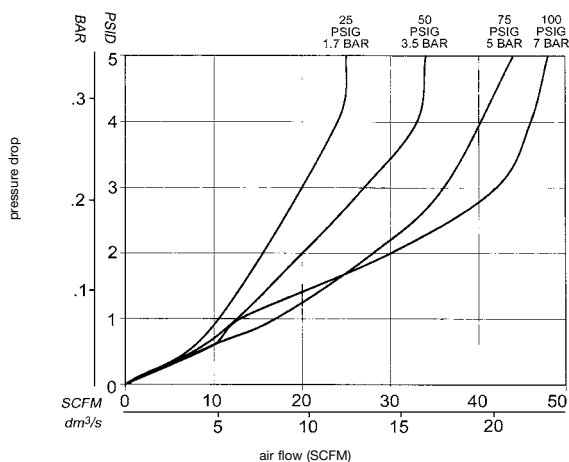
Temperature Range °F (°C): 40° - 180° (4° - 82°)
 Max. Operating Pressure PSIG (BAR): 300 (20)
 Weight, lbs. (kg.): 1.88 (.85)
 Element: Sintered Polypropylene



ANSI SYMBOL



Flow Ratings (based on 100 PSI inlet)



Dimensions: Inches (mm)

Series	A	B	C	D
70	5.00 (127.0)	0.56 (14.0)	1.75 (44.0)	2.38 (60.0)

How To Order

F 70 B - 04 A

Model
F = Filter

Series
70 = 4.0 oz. (1.2 Liter) Bowl

Element
A = 40 Micron
B = 5 Micron

Options
A = Autodrain

Port Size
04 = 1/2

Threads
- = NPTF
G = G Tap (BSPP)

F70D Series

- 316 Stainless Steel Body Construction
- Complete Coalescing Filter Line
- All Seals Made of Fluorocarbon (FKM)
- Meets NACE Specifications

Specifications

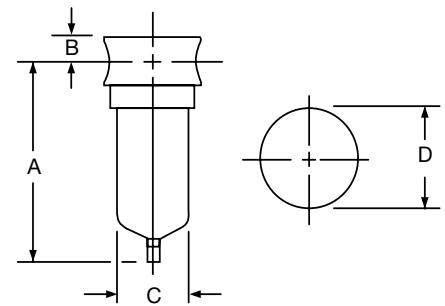
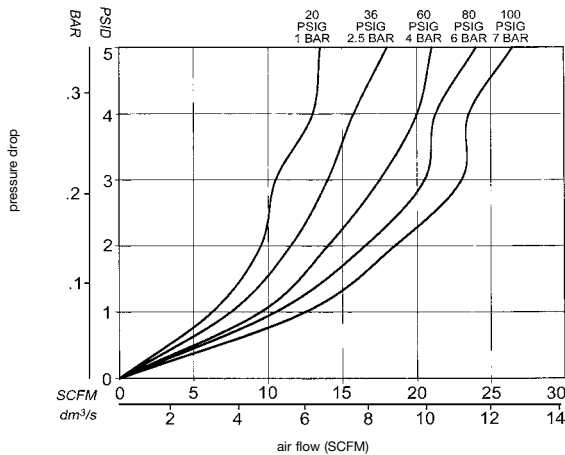
Temperature Range °F (°C): 40° - 180° (4° - 82°)
 Max. Operating Pressure PSIG (BAR): 300 (20)
 Weight, lbs. (kg.): 1.88 (.85)



ANSI SYMBOL



Flow Ratings (based on 100 PSI inlet)



Dimensions: Inches (mm)

Series	A	B	C	D
70	5.00 (127.0)	0.56 (14.0)	1.75 (44.0)	2.38 (60.0)

How To Order

F 70 D - 04 A

Model
 F = Filter

Series
 70 = 4.0 oz. (1.2 Liter) Bowl Capacity

Element
 C = 0.7 Micron Coarse coalescer
 D = 0.3 Micron Fine coalescer
 E = 0.01 Micron Ultra Fine coalescer
 F = Vapor adsorber

Options
 A = Autodrain
 D = 3 Micron Internal Pleated Prefilter

Port Size
 04 = 1/2

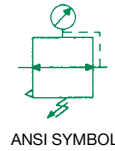
Threads
 - = NPTF
 G = G Tap (BSPP)

R70 Series

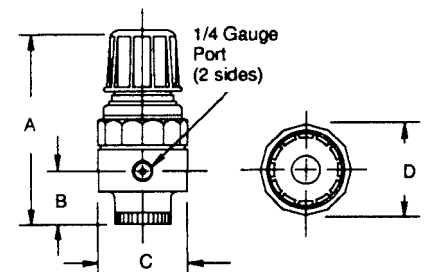
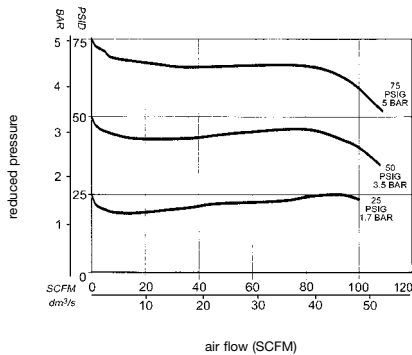
- 316 Stainless Steel Body Construction
- All Seals Made of Fluorocarbon (FKM)
- 0-125 PSI Standard
- Meets NACE Specifications

Specifications

Temperature Range °F (°C): 40° to 150° (4° to 65°)
 Max. Operating Pressure PSIG (BAR): 350 (24)
 Weight, lbs. (kg.): 1.79 (.81)



Flow Ratings (based on 100 PSI inlet)



Dimensions: Inches (mm)

Series	A	B	C	D
70	4.94 (125.0)	1.38 (35.0)	2.31 (59.0)	2.44 (62.0)

How To Order

R 70 R - 04 G

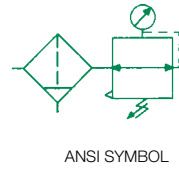
<p>Model</p> <p>R = Regulator</p> <p>Series</p> <p>70</p> <p>Element</p> <p>N = Non-Relieving</p> <p>R = Relieving (Standard)</p>	<p>Options</p> <p>G = Regulator Gauge</p> <p>H = 0-250 PSI</p> <p>P = Regulator Panel Unit</p> <p>Port Size</p> <p>04 = 1/2</p> <p>Threads</p> <p>- = NPTF</p> <p>G = G Tap (BSPP)</p>
--	---

P70 Series

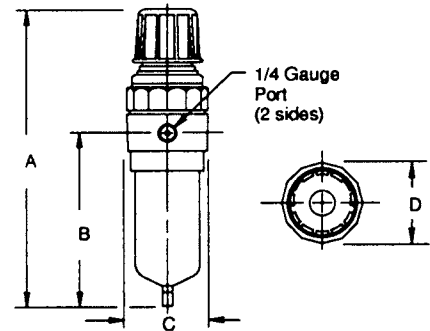
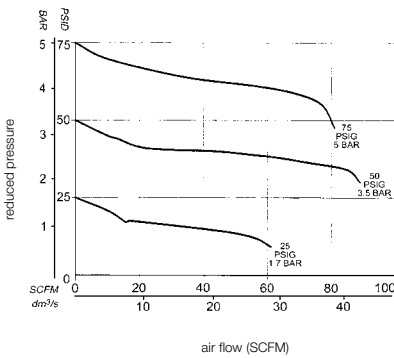
- 316 Stainless Steel Body Construction
- All Seals Made of Fluorocarbon (FKM)
- 0-125 PSI Standard
- Meets NACE Specifications

Specifications

Temperature Range °F (°C): 40° to 180° (4° to 82°)
 Max. Operating Pressure PSIG (BAR): 300 (20)
 Weight, lbs. (kg.): 2.43 (1.1)
 Element: Sintered Polypropylene



Flow Ratings (based on 100 PSI inlet)



Dimensions: Inches (mm)

Series	A	B	C	D
70	8.50 (216.0)	4.94 (125.0)	2.38 (60.0)	2.44 (62.0)

How To Order

P 70 B - 04 H

Model
 P = Filter/Regulator (Piggyback)

Series
 70 = 4.0 oz. (.12 Liter) Bowl Capacity

Element
 A = 40 Micron
 B = 5 Micron

Options
 A = Autodrain
 H = 0-250 PSI
 N = Non-Relieving

Port Size
 04 = 1/2

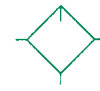
Threads
 - = NPTF
 G = G Tap (BSPP)

L70L Series

- 316 Stainless Steel Body Construction
- All Seals Made of Fluorocarbon (FKM)
- Meets NACE Specifications

Specifications

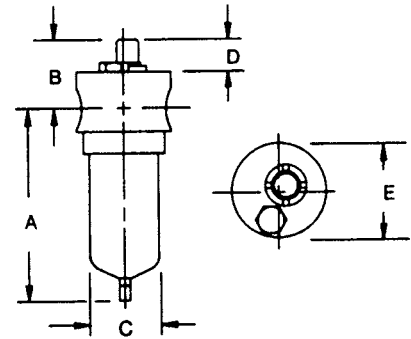
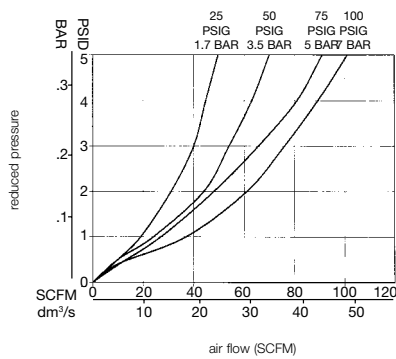
Temperature Range °F (°C): 40° to 150° (4° to 65°)
 Max. Operating Pressure PSIG (BAR): 350 (24)
 Weight, lbs. (kg.): 1.79 (.81)



ANSI SYMBOL



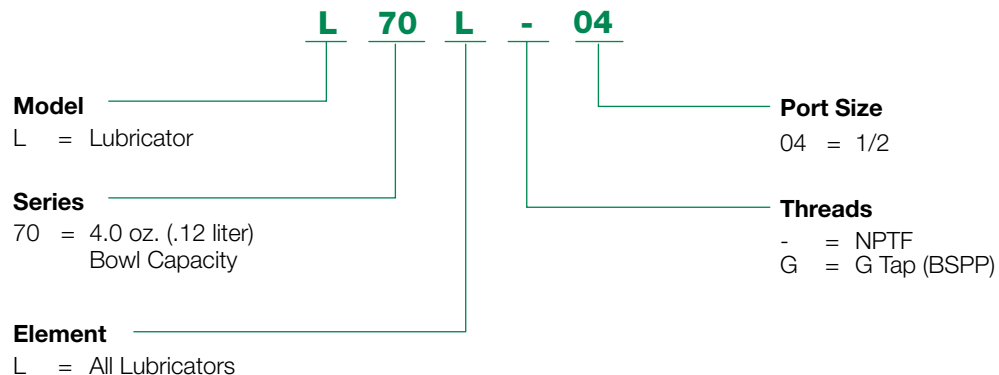
Flow Ratings (based on 100 PSI inlet)



Dimensions: Inches (mm)

Series	A	B	C	D	E
70	5.00 (126.0)	1.81 (46.0)	1.75 (45.0)	0.94 (24.0)	2.38 (60.0)

How To Order



70 Series Stainless Steel Particulate Filter

Element Replacement Kits	
includes filter element only	
Kit #	Description
EKF20A	40 micron element
EKF20B	5 micron element

70 Series Stainless Steel Coalescing Filter

Element Replacement Kits	
includes filter element only	
Kit #	Description
EKF20C	0.7 micron element
EKF20CD	0.7 micron element with prefilter
EKF20D	0.3 micron element
EKF20DD	0.3 micron element with prefilter
EKF20E	0.1 micron element
EKF20ED	0.1 micron element with prefilter
EKF20F	adsorbing element

70 Series Stainless Steel Regulator

Regulator Repair Kits	
Kit #	Description
RKC70	cage kit (inc. adjustment knob and spring cage)
RKR70R	(inc. relieving diaphragm and inner valve)
RKR70N	(inc. non-relieving diaphragm and inner valve)

70 Series Stainless Steel Lubricator

Lubricator Repair Kits	
includes adjustment assembly	
Kit #	Description
RKL70	lubricator repair kit

72 Series Stainless Steel Particulate Filter

Element Replacement Kits	
includes filter element only	
Kit #	Description
EKF12A	40 micron element
EKF12B	5 micron element

72 Series Stainless Steel Coalescing Filter

Element Replacement Kits	
includes filter element only	
Kit #	Description
EKF12C	0.7 micron element
EKF12CD	0.7 micron element with prefilter
EKF12D	0.3 micron element
EKF12DD	0.3 micron element with prefilter
EKF12E	0.001 micron element
EKF12ED	0.001 micron element with prefilter
EKF12F	adsorbing element

NUMATICS®

World Class Supplier of Pneumatic Components



World Headquarters

USA Numatics, Incorporated

46280 Dylan Drive
Novi, Michigan 48377

P: 248-596-3200
F: 248-596-3201

Canada Numatics, Ltd

P: 519-758-2700
F: 519-758-5540

México - Ascomatica SA de CV

P: 52 55 58 09 56 40 (DF y Area metropolitana)
P: 01 800 000 ASCO (2726) (Interior de la República)
F: 52 55 58 09 56 60

Brazil Ascoval Ind.e Comercio Ltda

P: (55) 11-4208-1700
F: (55) 11-4195-3970