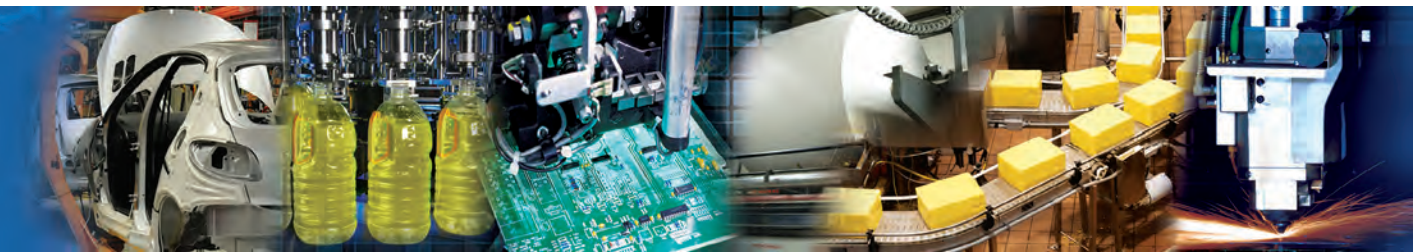


NUMATICS®

ISO/VDMA Series

ISO 6431 and VDMA 24562 Cylinder Line



www.asco.com


EMERSON™

BCAE
Automation Solutions

青岛秉诚自动化设备有限公司
地址：中国·青岛市重庆南路99号海尔云街甲3号楼7F

服务热线：4006-918-365
网址：<http://www.ivalve.cc>

传真：(86-532)585-10-365
Email：sales@bechinas.com



青岛秉诚自动化设备有限公司
地址：中国·青岛市重庆南路99号海尔云街甲3号楼7F

服务热线：4006-918-365
网址：<http://www.ivalve.cc>

传真：(86-532)585-10-365
Email：sales@bechinas.com

ISO/VDMA Series

Features and Benefits	2
How to Order	3
Technical Information	4
Dimensions	
Tie-Rod Version	5
Mounting Parts	7
Switches	10
Cords M8-thread for Switches and Sensors with Connector	10
LP Series for Cylinders of Profile Type	11
Sensing Part Numbers	12
World Switches	15
World Application Detail	16

The ISO/VDMA Series is an aluminum body air cylinder line that is designed to meet all of your international cylinder requirements. In fact, our ISO/VDMA Series cylinders are designed to meet the requirements of ISO 6431 (International) and VDMA 24562 (Germany). The combination of lightweight aluminum construction and proven reliability makes our ISO/VDMA Series the Superior Interchangeable metric, international standard air cylinder line.

Standard Specifications:

- Conforms to the following standards:
 - ISO 6431 (International)
 - VDMA 24562 (Germany)
- Bore sizes from 125 mm through 250 mm
- Nominal pressure rating is 10 bar (150 psi)
- Magnetic piston standard
- Complete range of mounting accessories:
 - Flange mounts
 - Front and rear
 - Clevis mounts
 - Rear clevis
 - Rod clevis
 - Rod eye
 - Foot brackets
 - Oscillating brackets
- Double acting
- Single and double rod end
- Tube made from anodized aluminum with wear resistant coating
- Flush switch mounting in cylinder tube (when using profile tubing)
- Adjustable cushions
- Temperature range:
 - 20 °C to 80 °C
 - 5 °F to 175 °F
- Seals made from Buna-N and Polyurethane
- Non-lube added service



How to Order

Z G 050 / 0080 C08 A1

Cylinder Series
Z = Tie-Rod Version

Cylinder Function	Cylinder Type
A =	Heat Resistant Type up to 180 °C (FKM - Seals) Single Rod End w/o Magnet
B =	Heat Resistant Type up to 180 °C (FKM - Seals) Double Rod End w/o Magnet
G =	Single Rod End w/o Magnet
H =	Double Rod End w/o Magnet

Piston Diameter
125 = 125 mm (4.92 in)
160 = 160 mm (6.30 in)
200 = 200 mm (7.78 in)

Stroke¹
0025 = 25 mm (0.98 in)
0050 = 50 mm (1.97 in)
0080 = 80 mm (3.15 in)
0100 = 100 mm (3.94 in)
0125 = 125 mm (4.92 in)
0160 = 160 mm (6.30 in)
0200 = 200 mm (7.78 in)
250 = 250 mm (9.84 in)
320 = 320 mm (12.60 in)
0400 = 400 mm (15.75 in)
0500 = 500 mm (19.69 in)

Options²
00 = Stainless Steel Rod and Jam Nut
A1 = Hard Piston Rod, Chrom Plated (Standard)
1A = Rod Extension (must specify length)
2A = Thred Extension (must specify length)
1R = Special Rod End

End Plate Style
C01 = Foot Bracket (Outside) Mount
CF2 = Front Flange Mount
CR2 = Rear Flange Mount
C07 = Oscillating Bracket with Lugs
C08 = Oscillating Bracket with Fork Type Mount
FMT = Fixed Mid Trunnion (Axis Perpendicular to Ports)
FST = Fixed Mid Trunnion (Axis Parallel to Ports)
NRL = Rod Lock Mount (Silver)
000 = Basic No Mount

1 Further Strokes on request
2 More Options on request

Order example: ZG125/0080C08A1

Here we have a double acting tie rod version cylinder with single rod end. Piston diameter is 125 mm and stroke 80 mm. The cylinder is equipped with a magnet for switch sensing and has cushioning. The cylinder will be mounted with oscillating brackets, fork type. Optionally it has a hard chrome plated piston rod.

Technical Information

Theoretical Force Table for Double Acting Cylinders with Piston Diameters 125 mm (4.92 in) to 200 mm (7.78 in).

Piston Diameter mm (Inches)	Piston Rod Diameter mm (Inches)	Effective Piston Surface (cm ²)	Pressure (bar)									
			2	3	4	5	6	7	8	9	10	
			Extend or Retract (N)									
125 (4.92)	32.0 (1.18)	for extend	122.7 (1.90)	2168	3247	4336	5415	6497	7583	8662	9751	10830
		for retract	115.7 (1.79)	2036	3054	4072	5090	6108	7126	8144	9162	10180
160 (6.30)	40.0 (1.57)	for extend	201.1 (3.12)	3551	5327	7102	8878	10654	12429	14205	15980	17756
		for retract	188.5 (2.92)	3326	4993	6651	8319	9987	11644	13312	14970	16638
200 (7.87)	40.0 (1.57)	for extend	314.2 (4.87)	5563	8319	11095	13871	16648	19424	22190	24966	27743
		for retract	301.6 (4.68)	5327	7985	10654	13312	15971	18639	21297	23966	26624

Friction losses are considered with 10%

Table on air consumption for double acting cylinders with piston diameter 125 mm (4.92 in) to 200 mm (7.78 in).

Piston Diameter mm (Inches)	Pressure (bar)									
	2	3	4	5	6	7	8	9	10	
	Air Consumption (l) Per 100 mm Stroke (Uncompressed Air)									
125 (4.92)	7.90	10.41	12.92	15.73	17.91	20.62	23.20	25.70	29.50	
160 (6.30)	12.51	16.60	20.85	25.80	28.90	34.39	38.62	41.95	46.72	
200 (7.87)	19.82	26.31	33.82	39.95	46.81	52.90	59.30	66.90	72.90	

Value for 1 double stroke

Weights (kg)

Cylinder Type ZA; or ZG, Piston Diameter	125	160	200	250*
0 mm stroke	5.37	10.75	14.75	31.45
to be added per 3.94 (100mm) stroke	1.39	1.80	2.20	8.20

* not for cylinder type ZG

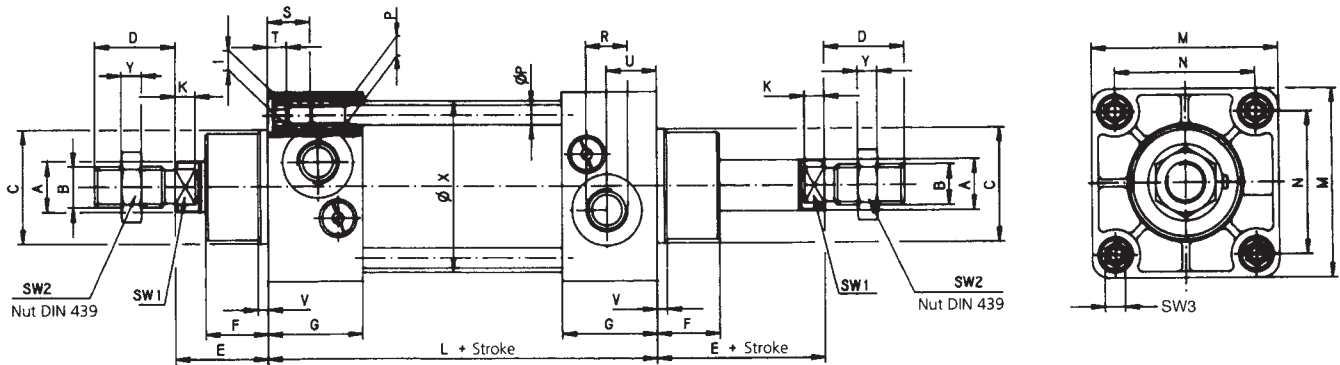
Cylinder Type ZB; or ZH, Piston Diameter mm (inches)	125 (4.92)	160 (6.30)	200 (7.78)	250* (9.87)
0 mm stroke	6.27	12.49	17.14	36.55
to be added per 3.94 (100mm) stroke	2.02	2.60	3.18	10.70

* not for cylinder type ZH

Dimensions: mm

Tie-Rod Version

Double Acting Cylinder, Double Rod End, ZB or ZH



Q= Internal Cushioning Length

Repair Kits

Cylinder Type	Order Code
ZB125/...	VB125/RK
ZB250/...	VB250/RK
ZH125/...	VH125/RK
ZH250/...	VH250/RK

Type	Piston Diameter	A Ø	B	C Ø	D±0.3	E±0.9	F±0.1	G	V	J	K	L	M
ZB; ZH	125	32.0	M27 x 2	60.0	54.0	65.0	40.0	45.0	5.5	M12	13.0	160 ± 1	140.0
ZB; ZH	160	40.0	M36 x 2	65.0	72.0	80.0	50.0	47.5	25.0	M16	16.0	180 ± 1.1	180.0
ZB; ZH	200	10.0	M36 x 2	75.0	72.0	95.0	65.0	47.5	25.0	M16	16.0	180 ± 1.6	220.0

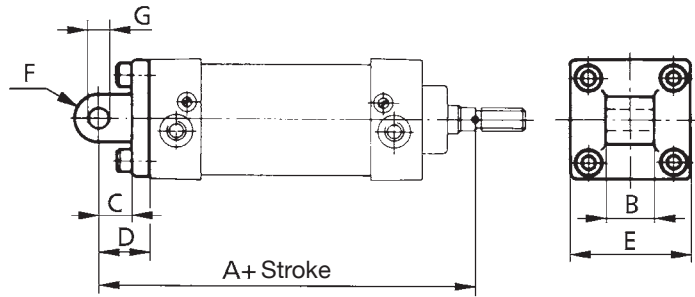
Type	Piston Diameter	N	P	Y	R	S min.	T	U	ØX	Q	SW1	SW2	SW3
ZB; ZH	125	110.0 ± 1	M12	13.5	G 1/2	20.0	10.0	30.0	132.0	27.0	27	41	12
ZB; ZH	160	140.0 ± 1	M16	18.0	G 3/4	24.0	-	27.5	170.0	34.0	36	55	-
ZB; ZH	200	175.0 ± 1	M16	18.0	G 3/4	24.0	-	27.5	210.0	34.0	36	55	-

Dimensions: mm

Mounting Parts

C07 Oscillating Bracket with Lugs (MP4)

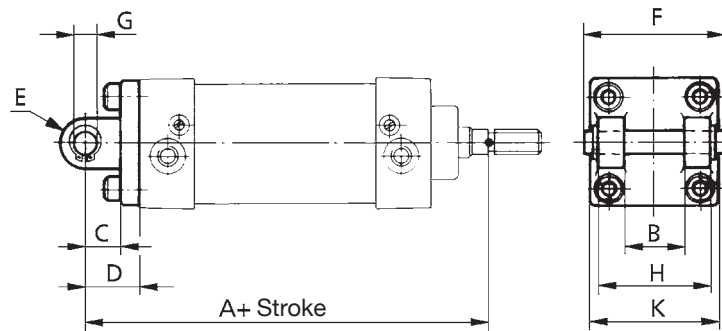
for Cylinder with Piston Diameter 32 mm to 200 mm
Includes bolts
Material: Aluminum



Piston Diameter	A	B -0.2 -0.6	C	D ±0.1	E	F	G H9	Weight Approx. (kg)	Order Code
125	275.0	70.0	30.0	50.0	140.0	25.0	25.0	3.550	VC07/125
160	315.0	90.0	35.0	55.0	180.0	25.0	30.0	7.020	VC07/160
200	335.0	90.0	35.0	60.0	220.0	25.0	30.0	9.350	VC07/200

C08 Oscillating Bracket with Wide Fork Type Mount (MP2)

for Cylinders with Piston Diameter 125 mm to 200 mm
Includes pin and bolts
Material: Aluminum; pin made from steel



Piston Diameter	A	B H14	C	D ± 0.2	E	F	G H9	H h14	K	Weight Approx. (kg)	Order Code
125	275.0	70.0	30.0	50.0	25.0	139.0	25.0	130.0	140.0	3.550	VC08/125
160	315.0	90.0	35.0	55.0	25.0	178.0	30.0	170.0	180.0	5.750	VC08/160
200	335.0	90.0	35.0	60.0	25.0	178.0	30.0	170.0	220.0	8.900	VC08/200

Dimensions: mm

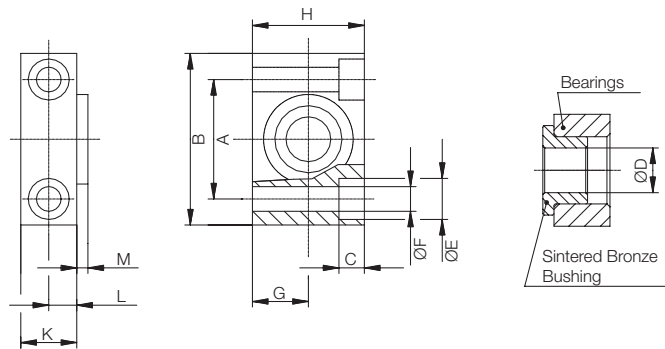
Mounting Parts

Mounting Block for Pivot to VDMA 24562 T.2 Only for Cylinders of Tie-Rod Version

Piston Diameter 125 mm to 200 mm

Mounting blocks are supplied in pairs only

Material: Aluminum; bearing bushing made from sintered bronze

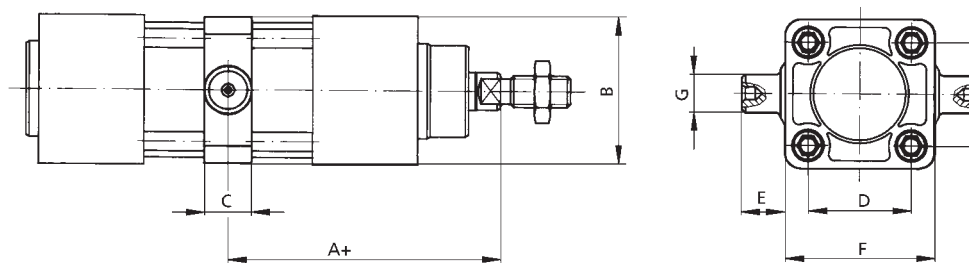


Piston Diameter	A ±0.1	B	C	D Ø H7	E Ø H13	F Ø H13	G ±0.1	H	K	L	M	Weight Approx. (kg)	Order Code
125	50.0	75.0	13.0	25.0	20.0	14.0	25.0	50.0	25.0	12.5	3.5	0.435	P493A1112100A00
160/200	60.0	92.0	17.5	32.0	26.0	18.0	30.0	60.0	36.0	18.5	4.0	0.850	P493AQ112100A00

FMT, FST Mid Trunnion (MT4)

Piston Diameter 125 mm to 200 mm

Material: galvanized steel



Attention: Pivots are mounted on the center of the cylinder tube, dimension A + 1/2 stroke.

When another position is requested please indicate dimension of key surface of piston rod to center of pivot.

Piston Diameter	A	B	C max.	D ± 0.2	E h14	F h14	G Ø e9	Weight Approx. (kg)	Order Code
125	145.0	155.0	32.0	110.0	25.0	160.0	25.0	2.600	ZC09/125-S
160	170.0	190.0	40.0	140.0	32.0	200.0	32.0	4.300	ZC09/160-S
200	185.0	240.0	40.0	175.0	32.0	250.0	32.0	7.450	ZC09/200-S

NOTE: Pivots are fastened strongly to the tie rod ex works. (Please refer to option C09 on page 4). Order codes in the left table are to be used when spare parts are to be ordered.

ISO/VDMA Series Switches

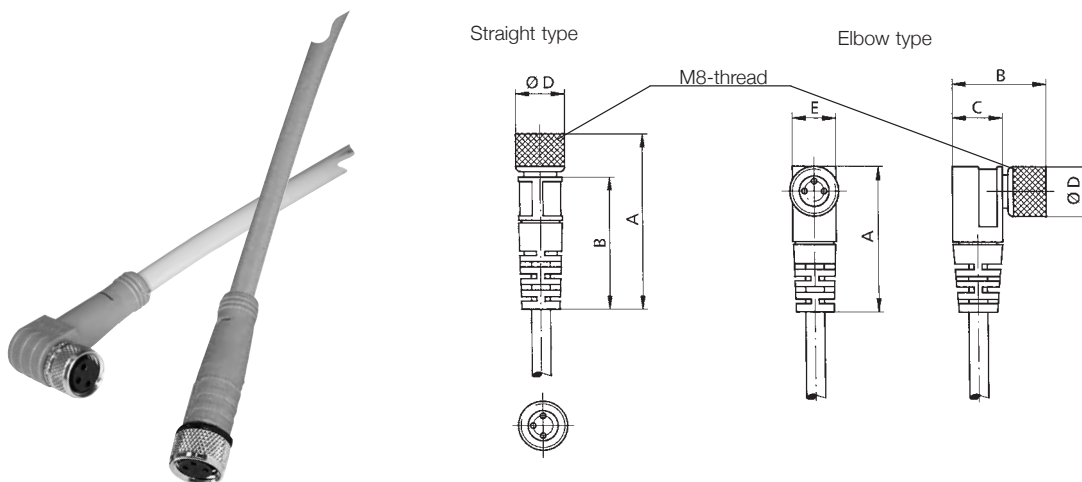
ISO/VDMA series World Switch

Cylinders	Bore		Switches					
			SR6-002	SR6-022	SH6-021	SH6-031	SH6-022	SH6-032
ISO/VDMA series Tie Rod	125mm	Bracket	SB6-T01	SB6-T01	SB6-T01	SB6-T01	SB6-T01	SB6-T01
ISO/VDMA series Tie Rod	160-200mm	Bracket	SB6-W01	SB6-W01	SB6-W01	SB6-W01	SB6-W01	SB6-W01

NOTE: See page 20 for dimensional and technical data

Dimensions: mm

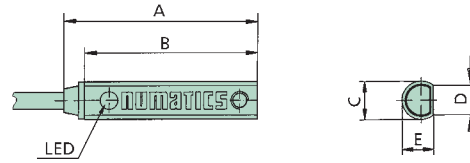
Cords M8-thread for Switches and Sensors with Connector



Type		A	B	C	D	E	Weight Approx. (kg)	Order Code
Straight with 5-m-cable	(3x0.25 mm ²)	32.3	24.4	—	9.0	—	0.143	PXCST
Elbow with 5-m-cable	(3x0.25 mm ²)	26.3	17.1	9.2	9.0	8.0	0.145	PXC90

LP Series for Cylinders of Profile Type

ISO 6341/VDMA 24562



Electronic Sensor

(3 Wire Type) (mm)		A	B	C	D	E	Order Code
27 cm cable made from PVC with M8x1 mm plug	(PNP NO)	33.0	29.5	6.5	5.0	5.3	SPR-C02
2 m cable made from PVC, 3x0.14 mm ²	(PNP NO)						SPR-W20
27 cm cable made from PVC with M8x1 mm plug	(NPN NO)						SNR-C02
2 m cable made from PVC, 3x0.14 mm ²	(NPN NO)						SNR-W20

Reed Switch

(2 Wire Type) (mm)		A	B	C	D	E	Order Code
27 cm cable made from PVC with M8x1 mm plug	(PNP NO)	33.0	29.5	6.5	5.0	5.3	SPR-C02
2 m cable made from PVC, 3x0.14 mm ²	(PNP NO)						SPR-W20

Technical Data

Electronic Sensor		Reed Switch	
<p>PNP NO</p>	<p>NPN NO</p>	<p>SRR NO</p>	
Operating Voltage U _g	10-30 V DC	27 cm cable with M8 x 1 mm plug 2 m cable	10-50 V AC/60VDC 10-120 V AC/DC
Residual Ripple	≤10% U _g		
Voltage Decrease U _d (with I _a max.)	≤2 V		≤3 V
Current Absorption (not activated)	≤10 mA		
Switching Current I _a	<150 mA		<100 mA
Response Sensitivity	approx. 3 mT	approx. 3 mT	
EMV to:	EN 60947-5-2	EN 60947-5-2	
Wire Breakage Protection	Yes	—	
Short Circuit Protection	Yes	—	
Reverse Polarity Protection	Yes	Yes	
Power-Up Pulse Suppression	Yes	—	
Protection to DIN 40050	IP67	IP67	
Shock and Vibration Resistance	30 g, 11 ms, 10 to 55 Hz, 1mm	30 g, 11 ms, 10 to 55 Hz, 1mm	
Ambient Temperature T _a	-10 °F to 165 °F (-25 °C to 75 °C)	-10 °F to 165 °F (-25 °C to 75 °C)	

- Attention:
- With CD-operation LED only illuminates when switch is correctly polarized.
 - Never operate sensor W/O load.
 - When switching higher capacitive and inductive loads, protection measures are to be taken.

Sensors

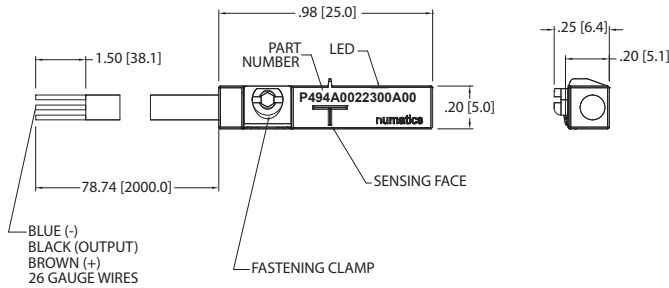
Mounting of Switches with LP Profile

1. Put sensor in the cylinder groove at any point.
2. Rotate it by 90°.
3. Tighten screw M3 (key 1.5mm is included).

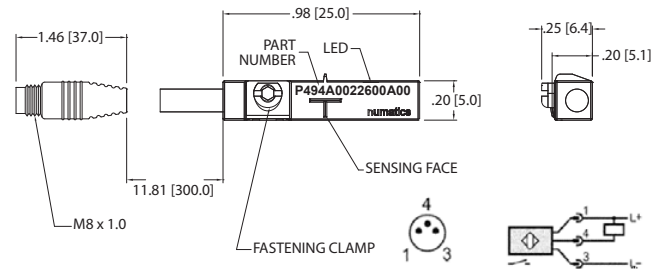


Sensing Part Numbers

P494A0022300A00



P494A0022600A00

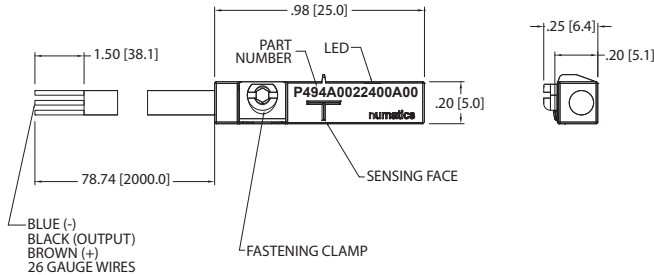


ELECTRICAL DESIGN	DC PNP
OUTPUT	Normally Open
OPERATING VOLTAGE	10-30 VDC
CURRENT RATING	100 mA
SHORT-CIRCUIT PROTECTION	Yes
OVERLOAD PROTECTION	Yes
REVERSE POLARITY PROTECTION	Yes
VOLTAGE DROP	< 2.5 V
CURRENT CONSUMPTION	< 12 mA
REPEATABILITY	< .2mm
POWER-ON DELAY TIME	< 30 ms
SWITCH FREQUENCY	> 3000 Hz
AMBIENT TEMPERATURE	-25°C to 85°C
PROTECTION	IP 67, III
HYSTERESIS	1.0mm
MAGNETIC SENSITIVITY	2.0 mT
TRAVEL SPEED	> 10 m/s
HOUSING MATERIAL	PA (Polyamide) Black; Fastening Clamp: Stainless Steel
FUNCTION DISPLAY SWITCHING STATUS	Yellow LED
CONNECTION	Flying Leads, Pur Cable (2m Long, 3 x26 Gauge Wire)
REMARKS	Clamping Screw with Combined Slot/Hexagon Socket Head AF 1.5 cULus - Class 2 Source Required
ACCESSORIES	Rubber Placeholder, Cable Clip, and Cut Sheet To Be Provided with Every Switch
AGENCY APPROVALS	CE cUL us RoHS

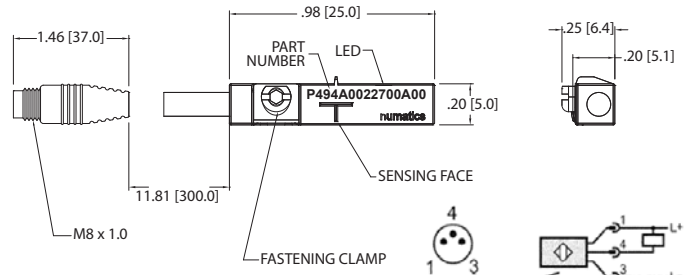
ELECTRICAL DESIGN	DC PNP
OUTPUT	Normally Open
OPERATING VOLTAGE	10-30 VDC
CURRENT RATING	100 mA
SHORT-CIRCUIT PROTECTION	Yes
OVERLOAD PROTECTION	Yes
REVERSE POLARITY PROTECTION	Yes
VOLTAGE DROP	< 2.5 V
CURRENT CONSUMPTION	< 12 mA
REPEATABILITY	< .2mm
POWER-ON DELAY TIME	< 30 ms
SWITCH FREQUENCY	> 3000 Hz
AMBIENT TEMPERATURE	-25°C to 85°C
PROTECTION	IP 67, III
HYSTERESIS	1.0mm
MAGNETIC SENSITIVITY	2.0 mT
TRAVEL SPEED	> 10 m/s
HOUSING MATERIAL	PA (Polyamide) Black; Fastening Clamp: Stainless Steel
FUNCTION DISPLAY SWITCHING STATUS	Yellow LED
CONNECTION	M8 Connector, Pur Cable (.3 m)
REMARKS	Clamping Screw with Combined Slot/Hexagon Socket Head AF 1.5 cULus - Class 2 Source Required
ACCESSORIES	Rubber Placeholder, Cable Clip, and Cut Sheet To Be Provided with Every Switch
AGENCY APPROVALS	CE cUL us RoHS

Sensing Part Numbers

P494A0022400A00



P494A0022700A00

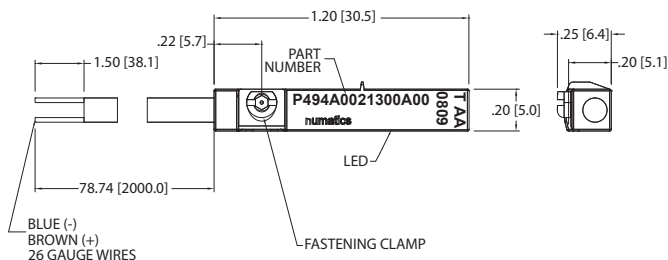


ELECTRICAL DESIGN	DC NPN
OUTPUT	Normally Open
OPERATING VOLTAGE	10-30 VDC
CURRENT RATING	100 mA
SHORT-CIRCUIT PROTECTION	Yes
OVERLOAD PROTECTION	Yes
REVERSE POLARITY PROTECTION	Yes
VOLTAGE DROP	< 2.5 V
CURRENT CONSUMPTION	< 12 mA
REPEATABILITY	< 0.2mm
POWER-ON DELAY TIME	< 30 ms
SWITCH FREQUENCY	> 3000 Hz
AMBIENT TEMPERATURE	-25 °C to 85 °C
PROTECTION	IP 67, III
HYSTERESIS	1.0mm
MAGNETIC SENSITIVITY	2.0 mT
TRAVEL SPEED	> 10 m/s
HOUSING MATERIAL	PA (Polyamide) Black; Fastening Clamp: Stainless Steel
FUNCTION DISPLAY SWITCHING STATUS	Yellow LED
CONNECTION	Flying Leads, Pur Cable (2m Long, 3 x26 Gauge Wire)
REMARKS	Clamping Screw with Combined Slot/Hexagon Socket Head AF 1.5 cULus - Class 2 Source Required
ACCESSORIES	Rubber Placeholder, Cable Clip, and Cut Sheet To Be Provided with Every Switch
AGENCY APPROVALS	

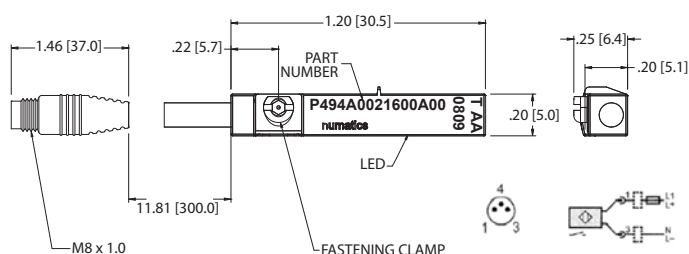
ELECTRICAL DESIGN	DC NPN
OUTPUT	Normally Open
OPERATING VOLTAGE	10-30 VDC
CURRENT RATING	100 mA
SHORT-CIRCUIT PROTECTION	Yes
OVERLOAD PROTECTION	Yes
REVERSE POLARITY PROTECTION	Yes
VOLTAGE DROP	< 2.5 V
CURRENT CONSUMPTION	< 12 mA
REPEATABILITY	< 0.2mm
POWER-ON DELAY TIME	< 30 ms
SWITCH FREQUENCY	> 3000 Hz
AMBIENT TEMPERATURE	-25 °C to 85 °C
PROTECTION	IP 67, III
HYSTERESIS	1.0mm
MAGNETIC SENSITIVITY	2.0 mT
TRAVEL SPEED	> 10 m/s
HOUSING MATERIAL	PA (Polyamide) Black; Fastening Clamp: Stainless Steel
FUNCTION DISPLAY SWITCHING STATUS	Yellow LED
CONNECTION	M8 Connector, Pur Cable (0.3 m)
REMARKS	Clamping Screw with Combined Slot/Hexagon Socket Head AF 1.5 cULus - Class 2 Source Required
ACCESSORIES	Rubber Placeholder, Cable Clip, and Cut Sheet To Be Provided with Every Switch
AGENCY APPROVALS	

Sensing Part Numbers

**P494A0021300A00
P4995051740N001**



**P494A0021600A00
P4995058110N001**

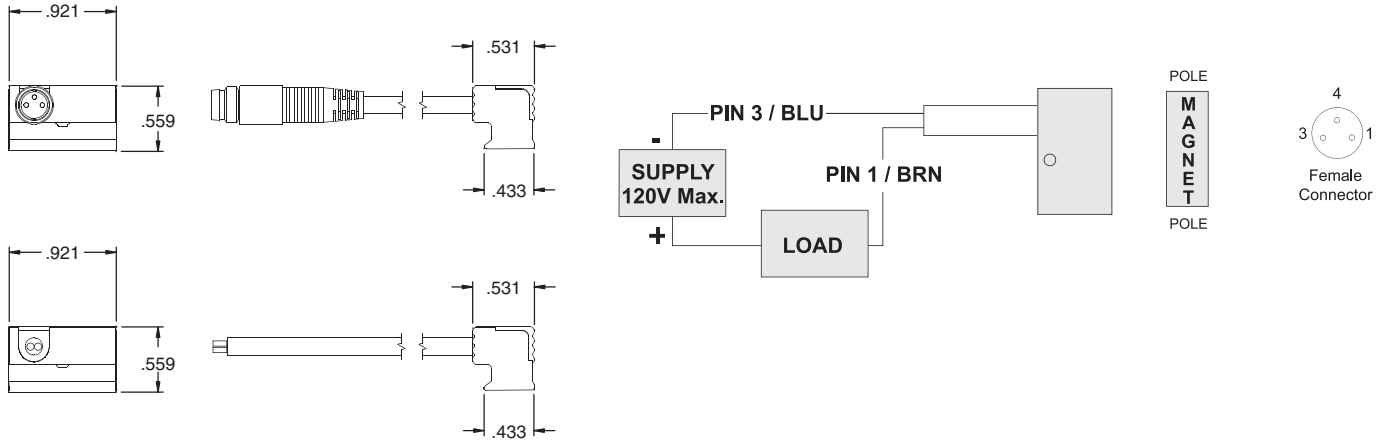


ELECTRICAL DESIGN	AC/DC REED
OUTPUT	Normally Open
OPERATING VOLTAGE	5-120 VAC/DC
CURRENT RATING	100 mA*
SHORT-CIRCUIT PROTECTION	No
OVERLOAD PROTECTION	No
REVERSE POLARITY PROTECTION	Yes
VOLTAGE DROP	< 5 V
REPEATABILITY	± 0.2mm
MAKETIME INCLUDING BOUNCE	< 0.6 ms
BREAKTIME	< 0.1 ms
SWITCHING POWER (MAX)	5 W
SWITCH FREQUENCY	1000 Hz
AMBIENT TEMPERATURE	-25 °C to 70 °C
PROTECTION	IP 67, II
HYSTERESIS	0.9mm
HOUSING MATERIAL	PA (Polyamide) Black; Fastening Clamp: Stainless Steel
FUNCTION DISPLAY SWITCHING STATUS	Yellow LED
CONNECTION	Flying Leads, Pur Cable (2m Long, 2 x 26 Gauge Wire)
REMARKS	*External Protective Circuit for Inductive Load (Valve, Contactor, Etc..) Necessary. Conforms to 2008 NEC Section 725 III, Class 2 Circuits Clamping Screw with Combined Slot/Hexagon Socket Head AF 1.5. No LED Function in case of Polarity in DC Operation
ACCESSORIES	Rubber Placehold, Cable Clip, and Cut Sheet To Be Provided with Every Switch
AGENCY APPROVALS	

ELECTRICAL DESIGN	AC/DC REED
OUTPUT	Normally Open
OPERATING VOLTAGE	5-60 VDC/5-50 VAC #
CURRENT RATING	100 mA*
SHORT-CIRCUIT PROTECTION	No
OVERLOAD PROTECTION	No
REVERSE POLARITY PROTECTION	Yes
VOLTAGE DROP	< 5 V
REPEATABILITY	± 0.2mm
MAKETIME INCLUDING BOUNCE	< 0.6 ms
BREAKTIME	< 0.1 ms
SWITCHING POWER (MAX)	5 W
SWITCH FREQUENCY	1000 Hz
AMBIENT TEMPERATURE	-25 °C to 70 °C
PROTECTION	IP 67, II
HYSTERESIS	0.9mm
HOUSING MATERIAL	PA (Polyamide) Black; Fastening Clamp: Stainless Steel
FUNCTION DISPLAY SWITCHING STATUS	Yellow LED
CONNECTION	M8 Connector, Pur Cable (0.3m)
REMARKS	*External Protective Circuit for Inductive Load (Valve, Contactor, Etc..) Necessary. Conforms to 2008 NEC Section 725 III, Class 2 Circuits # M8 Connector voltage limited to 5-60 VDC/ 5-50 VAC to conform with 2008 IEC 61076-2-104 Clamping Screw with Combined Slot/Hexagon Socket Head AF 1.5. No LED Function in case of Polarity in DC Operation
ACCESSORIES	Rubber Placehold, Cable Clip, and Cut Sheet To Be Provided with Every Switch
AGENCY APPROVALS	

World Switches

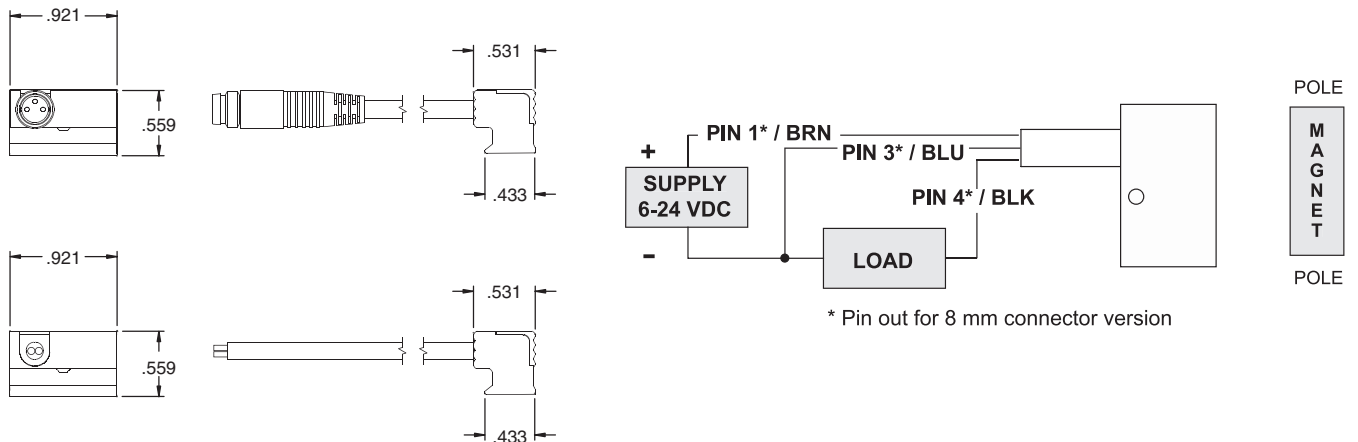
Reed Switch - Normally Open Type SR6



ISO/VDMA Series World Switch Reed Switch Part Numbers

P/N	Switch Style	Electrical Design	Output	Operating Voltage	Current Rating	Switching Power	Voltage Drop	NEMA IP Rating	Temperature Rating
SH6-002	Flying Lead	AC/DC REED	Normally Open	5-120 VAC/DC	0.025 Amps Max. 0.001 Amps Min.	3 Watts Max.	3.5 Volts	NEMA 6	-25 °C to 75 °C
SR6-004	Flying Lead	AC/DC REED	Normally Open	5-120 VAC/DC	0.5 Amps Max. 0.005 Amps Min.	10 Watts Max.	3.0 Volts	NEMA 6	-25 °C to 75 °C
SR6-022	M8 Connector	AC/DC REED	Normally Open	5-50 VAC 5-60 VDC	0.025 Amps Max. 0.001 Amps Min.	12 Watts Max.	0.5 Volts	NEMA 6	-25 °C to 75 °C
SR6-024	M8 Connector	AC/DC REED	Normally Open	5-50 VAC 5-60 VDC	0.5 Amps Max. 0.005 Amps Min.	10 Watts Max.	3.0 Volts	NEMA 6	-25 °C to 75 °C

Hall Effect Switch - Sourcing/Sinking Type SH6



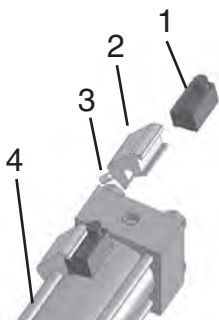
ISO/VDMA Series World Switch Hall Effect Part Numbers

P/N	Switch Style	Electrical Design	Output	Operating Voltage	Current Rating	Switching Power	Voltage Drop	NEMA IP Rating	Temperature Rating
SH6-031	Flying Lead	PNP	Normally Open	6-24 VDC	0.3 Amps Max.	7.2 Watts Max.	0.5 Volts	NEMA 6	-25 °C to 75 °C
SH6-032	Flying Lead	NPN	Normally Open	6-24 VDC	0.3 Amps Max.	7.2 Watts Max.	0.5 Volts	NEMA 6	-25 °C to 75 °C
SH6-021	M8 Connector	PNP	Normally Open	6-24 VDC	0.3 Amps Max.	7.2 Watts Max.	0.5 Volts	NEMA 6	-25 °C to 75 °C
SH6-022	M8 Connector	NPN	Normally Open	6-24 VDC	0.3 Amps Max.	7.2 Watts Max.	0.5 Volts	NEMA 6	-25 °C to 75 °C

Original ISO/VDMA series World Application Detail

Round Tube and Tie Rod Detail

- 1. World Switch
- 2. Tie Rod Bracket
- 3. Adjustment Screw
- 4. Cylinder Tie Rod





青岛秉诚自动化设备有限公司
地址：中国·青岛市重庆南路99号海尔云街甲3号楼7F

服务热线：4006-918-365
网址：<http://www.ivalve.cc>

传真：(86-532)585-10-365
Email：sales@bechinas.com

NUMATICS®

World Class Supplier of Pneumatic Components



World Headquarters

USA Numatics, Incorporated

46280 Dylan Drive
Novi, Michigan 48377

P: 248-596-3200
F: 248-596-3201

Canada Numatics, Ltd

P: 519-758-2700
F: 519-758-5540

México - Ascomatica SA de CV

P: 52 55 58 09 56 40 (DF y Area metropolitana)
P: 01 800 000 ASCO (2726) (Interior de la República)
F: 52 55 58 09 56 60

Brazil Ascoval Ind.e Comercio Ltda

P: (55) 11-4208-1700
F: (55) 11-4195-3970

LT-ISOVDMACatalog Rev 10/16
10M-IPC-01/09
© Numatics Inc. 2012-2016

ASCAutomation Solutions | 18) 596-3200 | www.asc.com | email: an.insidesales@emerson.com
BCAE 青岛秉诚自动化设备有限公司 | 服务热线: 4006-918-365
地址: 中国·青岛市重庆南路99号海尔云街甲3号楼7F | 网址: <http://www.ivalve.cc>

Numatics® is registered in the United States and elsewhere
传真: (86-532)585-10-365
Email: sales@bechinas.com