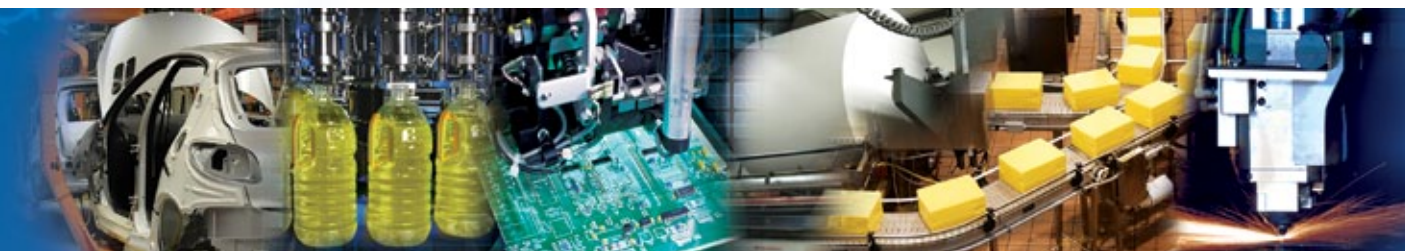


NUMATICS®

Corrosion Resistant M Series

Round Line, Non-Repairable Cylinder



www.numatics.com


EMERSON
Industrial Automation

BCAE
Automation Solutions

青岛秉诚自动化设备有限公司
地址：中国·青岛市重庆南路99号海尔云街甲3号楼7F

服务热线：4006-918-365
网址：<http://www.ivalve.cc>

传真：(86-532)585-10-365
Email：sales@bechinas.com

Corrosion Resistant M Series

Corrosion Resistant Cylinders	3
How to Order	3
3/4" Corrosion Resistant M Series Cylinders	4
1-1/16" Corrosion Resistant M Series Cylinders	5
1-1/2" Corrosion Resistant M Series Cylinders	6
Standard Specifications	6

Corrosion Resistant Cylinders

Features

- Delrin® head, cap and piston provide excellent corrosion resistance in wash down environments where cylinders are exposed to moisture and certain solvents.*
- Stainless steel rod and tube complete the corrosion resistance package and provide long life.
- Corrosion resistant cylinders are offered in three standard bore sizes: 3/4", 1-1/16" and 1-1/2" with both nose and rear pivot mounts.
- 100 PSI Pressure Rating
- 32° F to 160° F Temperature Rating

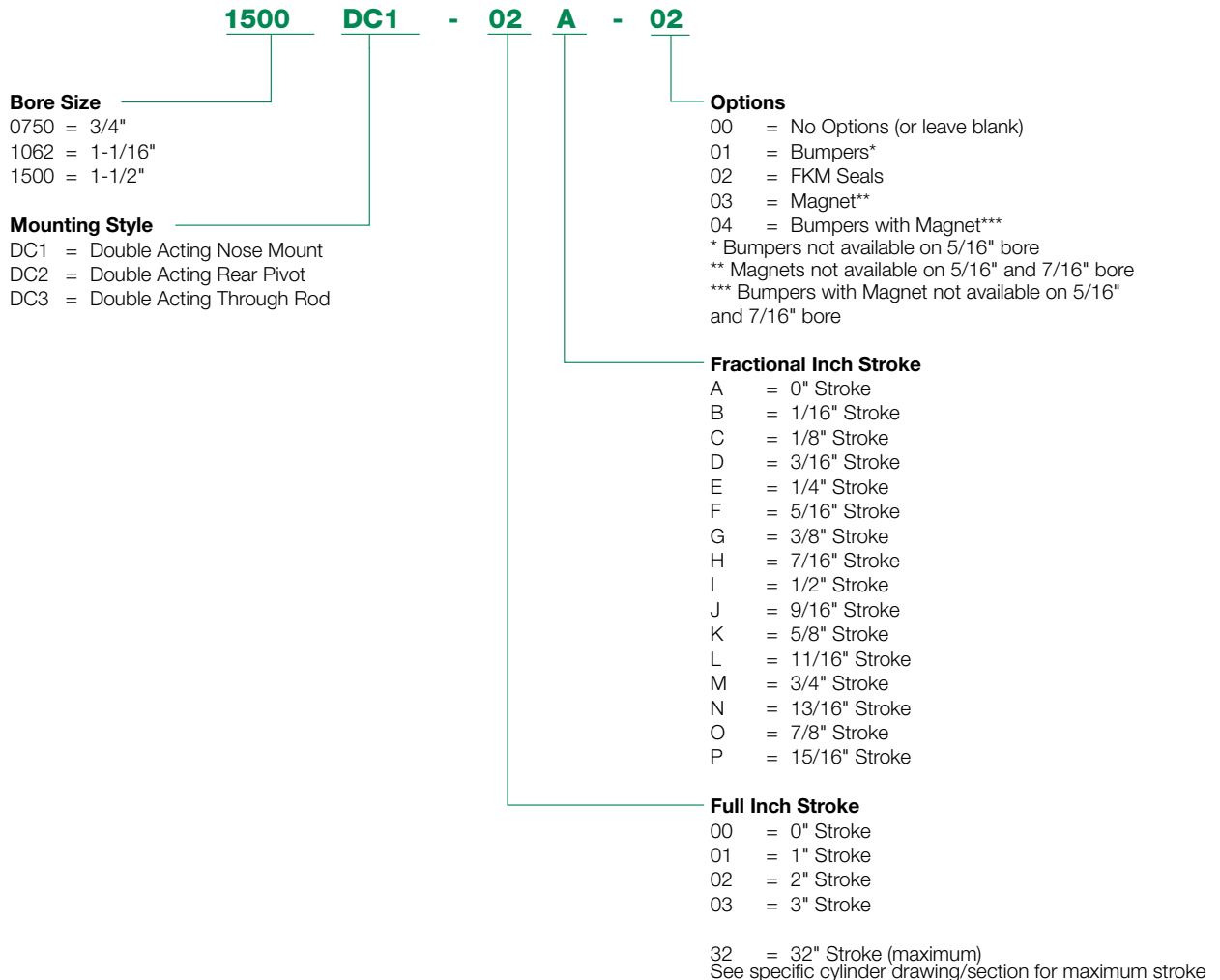


Delrin® is a registered trademark of DuPont.

*Call DuPont for general information (800) 441-0575 for information regarding properties of Delrin®

How To Order

Base Models



3/4" Corrosion Resistant M Series Cylinders

Double Acting – 0750DC1-00A

Front Nose Mount

Standard Stroke Lengths:

1/2", 1", 1-1/2", **2"**, 2-1/2", 3", 4", 5", 6"

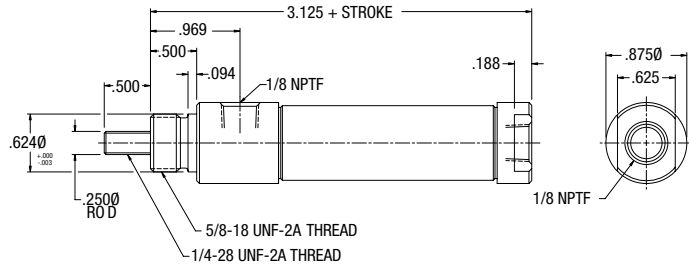
Maximum Stroke: 12"

Base Weight: .13 lbs., plus .03 lbs. per inch of stroke

Mounting Nut, Maximum Torque: 12.0 (in-lbs.)

*Optional Accessories:

- N90-1096 Stainless Steel Mounting Nut



Double Acting – 0750DC2-00A

Rear Pivot Mount

Standard Stroke Lengths:

1/2", 1", 1-1/2", **2"**, 2-1/2", 3", 4", 5", 6"

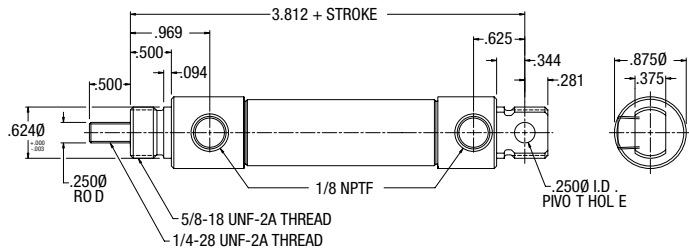
Maximum Stroke: 32"

Base Weight: .15 lbs., plus .03 lbs. per inch of stroke

Mounting Nut, Maximum Torque: 12.0 (in-lbs.)

*Optional Accessories:

- N90-1096 Stainless Steel Mounting Nut



Double Acting – 0750DC3-00A

Through Rod Mount

Standard Stroke Lengths:

1/2", 1", 1-1/2", **2"**, 2-1/2", 3", 4", 5", 6"

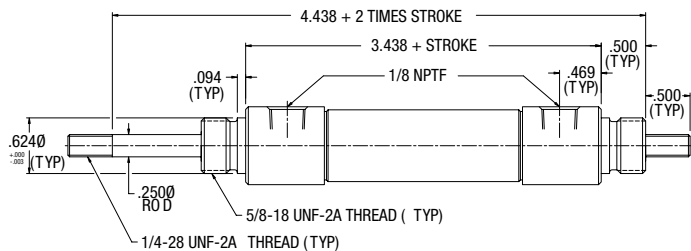
Maximum Stroke: 12"

Base Weight: .18 lbs., plus .05 lbs. per inch of stroke

Mounting Nut, Maximum Torque: 12.0 (in-lbs.)

*Optional Accessories:

- N90-1096 Stainless Steel Mounting Nut



* See M Series for accessory details.

1-1/16" Corrosion Resistant M Series Cylinders

Double Acting – 1062DC1-00A

Front Nose Mount

Standard Stroke Lengths:

1/2", 1", 1-1/2", 2", 2-1/2", 3", 4", 5", 6"

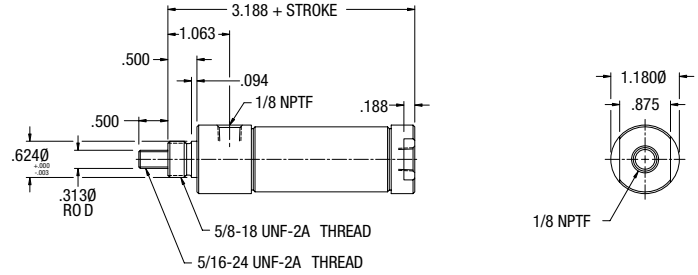
Maximum Stroke: 12"

Base Weight: .21 lbs., plus .05 lbs. per inch of stroke

Mounting Nut, Maximum Torque: 12.0 (in-lbs.)

*Optional Accessories:

- N90-1096 Stainless Steel Mounting Nut



Double Acting – 1062DC2-00A

Rear Pivot Mount

Standard Stroke Lengths:

1/2", 1", 1-1/2", 2", 2-1/2", 3", 4", 5", 6", 7", 8", 9", 10", 11", 12"

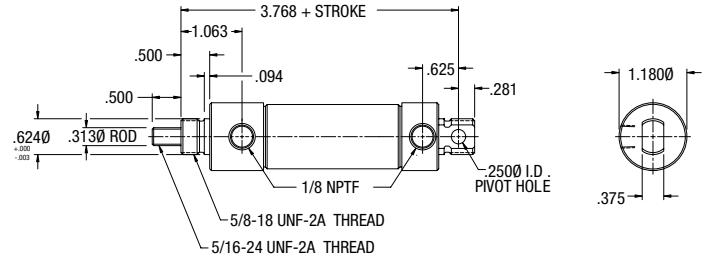
Maximum Stroke: 32"

Base Weight: .25 lbs., plus .05 lbs. per inch of stroke

Mounting Nut, Maximum Torque: 12.0 (in-lbs.)

*Optional Accessories:

- N90-1096 Stainless Steel Mounting Nut



Double Acting – 1062DC3-00A

Through Rod Mount

Standard Stroke Lengths:

1/2", 1", 1-1/2", 2", 2-1/2", 3", 4", 5", 6"

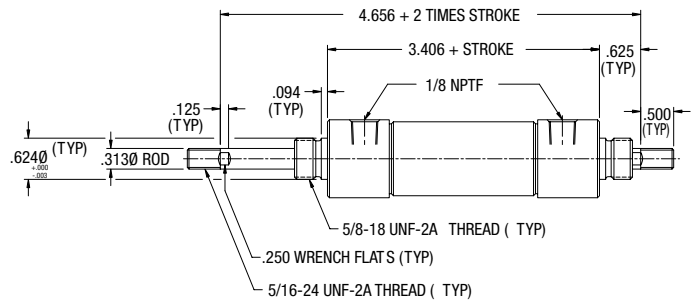
Maximum Stroke: 12"

Base Weight: .30 lbs., plus .07 lbs. per inch of stroke

Mounting Nut, Maximum Torque: 12.0 (in-lbs.)

*Optional Accessories:

- N90-1096 Stainless Steel Mounting Nut



* See M Series for accessory details.

1-1/2" Corrosion Resistant M Series Cylinders

**Double Acting – 1500DC1-00A
Front Nose Mount**

Standard Stroke Lengths:
1/2", 1", 1-1/2", 2", 2-1/2", 3", 4", 5", 6"

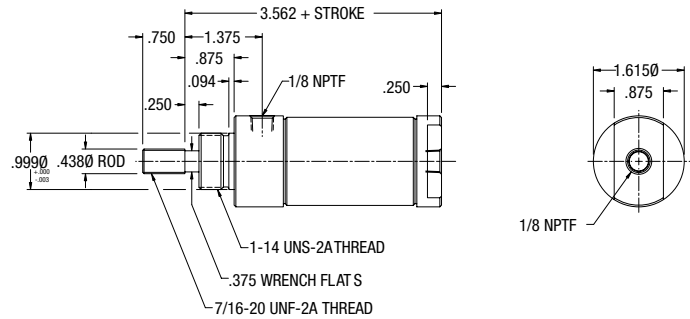
Maximum Stroke: 12"

Base Weight: .46 lbs., plus .08 lbs. per inch of stroke

Mounting Nut, Maximum Torque: 30.0 (in-lbs)

*Optional Accessories:

- M19S006 Stainless Steel Mounting Nut



**Double Acting – 1500DC2-00A
Rear Pivot Mount**

Standard Stroke Lengths:
1/2", 1", 1-1/2" 2", 2-1/2", 4", 5", 6", 7", 8",
9", 10", 11", 12"

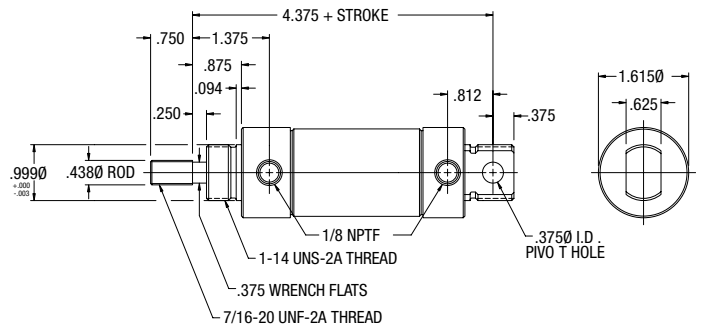
Maximum Stroke: 32"

Base Weight: .48 lbs., plus .08 lbs. per inch of stroke

Mounting Nut, Maximum Torque: 30.0 (in-lbs)

*Optional Accessories:

- M19S006 Stainless Steel Mounting Nut



**Double Acting – 1500DC3-00A
Through Rod Mount**

Standard Stroke Lengths:
1/2", 1", 1-1/2" 2", 2-1/2", 3", 4", 5", 6"

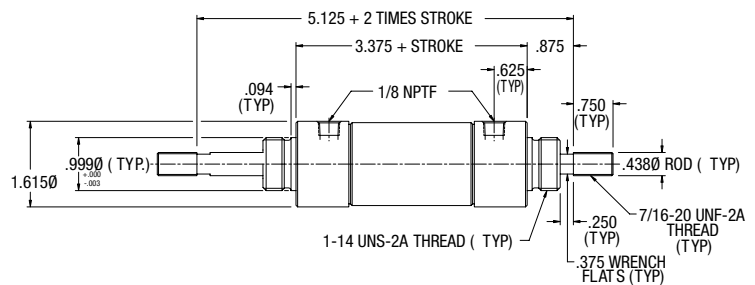
Maximum Stroke: 12"

Base Weight: .60 lbs., plus .13 lbs. per inch of stroke

Mounting Nut, Maximum Torque: 30.0 (in-lbs)

*Optional Accessories:

- M19S006 Stainless Steel Mounting Nut



Standard Specifications

- Mounting nut is sold separately on all Corrosion Resistant M Series cylinders.
- Please refer to specific bore size in standard cylinder section for standard specifications.

* See M Series for accessory details.

NUMATICS®

World Class Supplier of Pneumatic Components



World Headquarters

USA Numatics, Incorporated

46280 Dylan Drive
Novi, Michigan 48377

P: 248-596-3200
F: 248-596-3201

Canada Numatics, Ltd

P: 519-758-2700
F: 519-758-5540

México - Ascomatica SA de CV

P: 52 55 58 09 56 40 (DF y Area metropolitana)
P: 01 800 000 ASCO (2726) (Interior de la República)
F: 52 55 58 09 56 60

Brazil Ascoval Ind.e Comercio Ltda

P: (55) 11-4208-1700
F: (55) 11-4195-3970