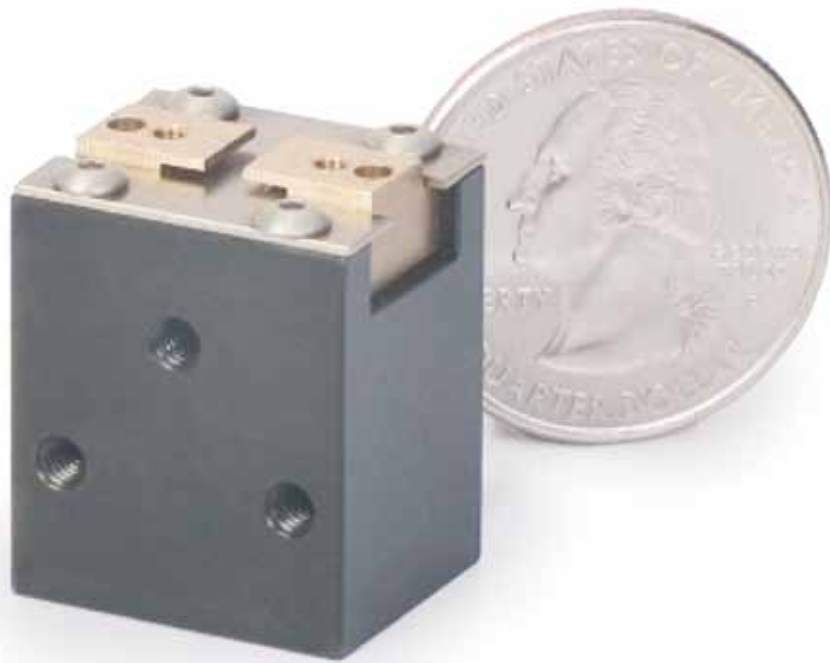


# numatics®

## MPG5 Series

Miniature Parallel Gripper



[www.numatics.com](http://www.numatics.com)

  
**EMERSON**  
Industrial Automation

**BCAE**  
Automation Solutions

青岛秉诚自动化设备有限公司  
地址：中国·青岛市重庆南路99号海尔云街甲3号楼7F

服务热线：4006-918-365  
网址：<http://www.ivalve.cc>

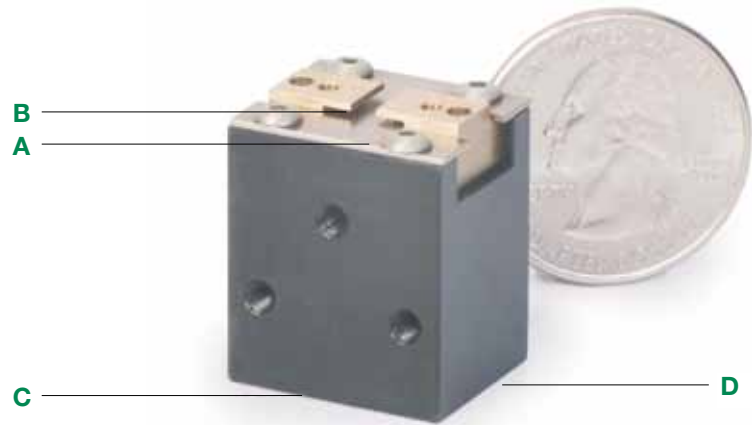
传真：(86-532)585-10-365  
Email：[sales@bechinas.com](mailto:sales@bechinas.com)

**MPG5 Miniature Parallel Gripper**

The MPG5 gripper is designed for pick & place of small pieces. The cutting edge design of the MPG5 allow for manifold mounting a series of MPG5's in line without the concerns of space for fittings or airlines. Another unique feature of the MPG5 is the dual-purpose purge port that is part of every gripper.

This feature facilitates use of the MPG5 in some clean room applications and very dirty environments.

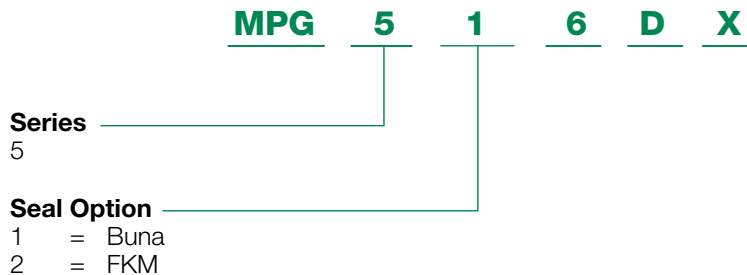
- A.** Shielded design for long service life.  
High grip force to weight ratio.
- B.** Top porting allows units to be manifold mounted eliminating air fittings. Side and Top porting standard.
- C.** Purge port will evacuate any contaminates from inside for a clean room environment. When pressurized the purge will keep debris from entering unit in dirty environments.
- D.** Jaws are aluminum bronze alloy and T-Slot style to prevent jaw breakage.



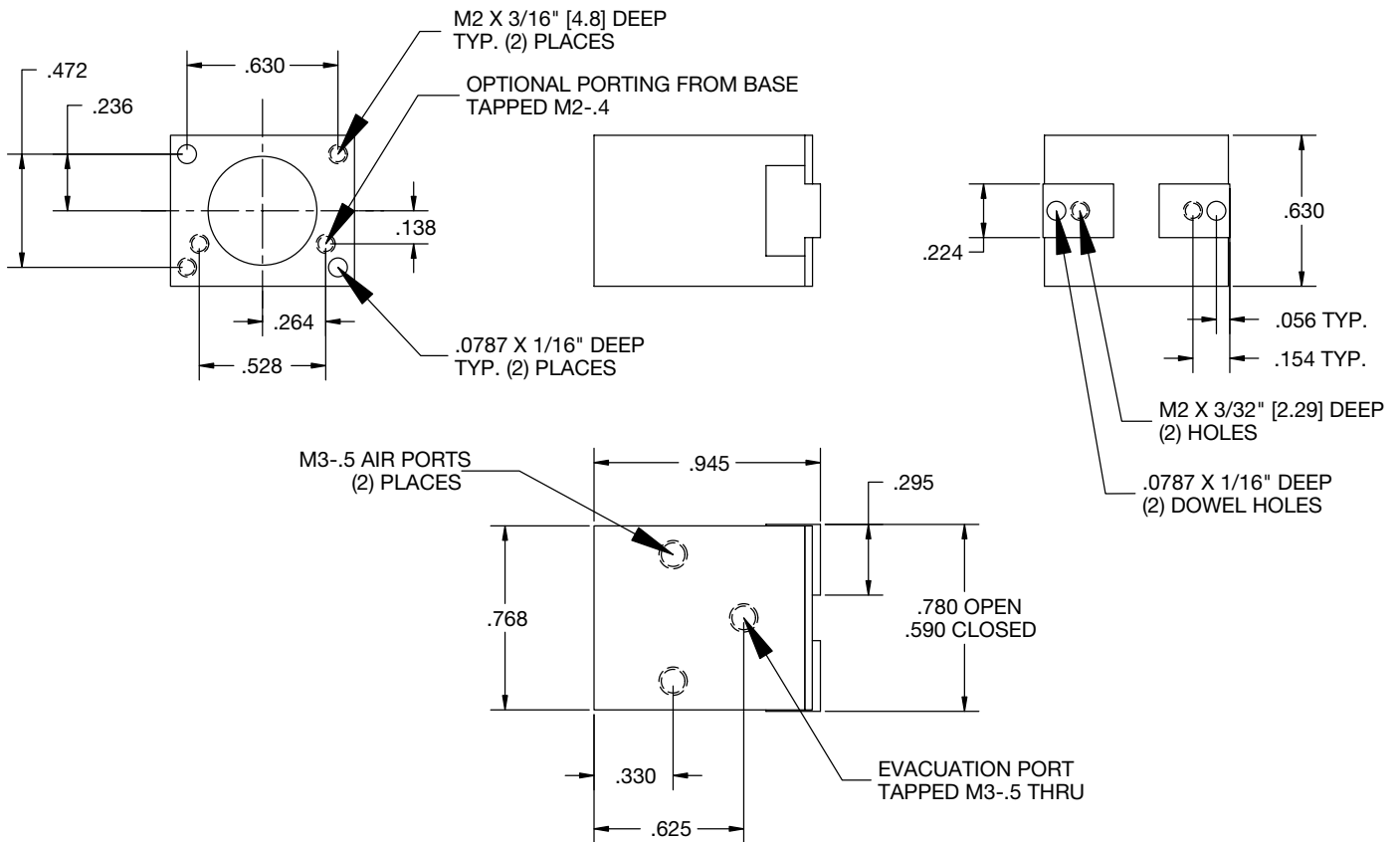
**Specifications**

Grip Force Close 80 PSI	Grip Force Open 80 PSI	Stroke	Weight	Displacement	Maximum Operating Pressure
9 lbs.	9 lbs.	0.19	1.7 oz.	0.008 cu in	100 psi

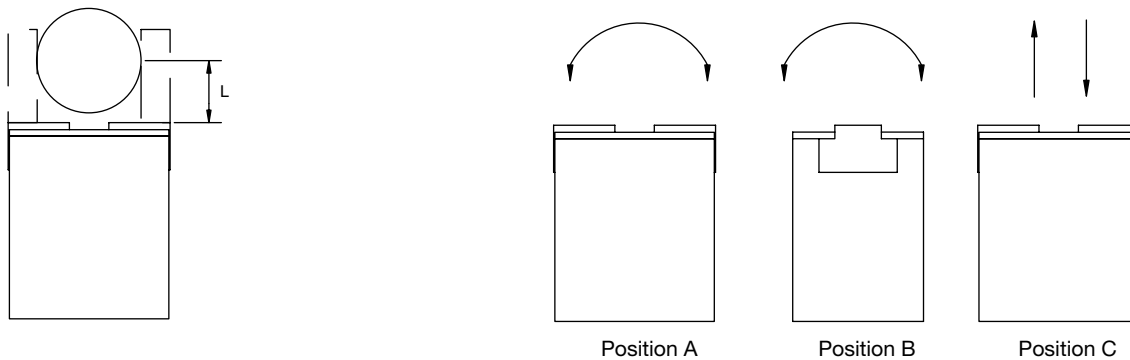
**How To Order**



## Dimensions



## Performance Data



### Grip Force VS. Finger Length

L (Finger Length)	Closer Force @ 80 PSI
1 inch	3.8 lbs. 1.7 Kgf
1.5 inches	3.5 lbs. 1.6 Kgf
2 inches	3.2 lbs. 1.4 Kgf

### Recommended Maximum Load Ratings

	MPG5
Max Load Position A	12 in/lbs 0.904 Nm
Max Load Position B	15 in/lbs 0.904 Nm
Max Load Position C	12 in/lbs 5.4 Kgf

# NUMATICS®

World Class Supplier of Pneumatic Components



## World Headquarters

### USA Numatics, Incorporated

46280 Dylan Drive  
Novi, Michigan 48377

P: 248-596-3200  
F: 248-596-3201

### Canada Numatics, Ltd

P: 519-758-2700  
F: 519-758-5540

### México - Ascomatica SA de CV

P: 52 55 58 09 56 40 (DF y Area metropolitana)  
P: 01 800 000 ASCO (2726) (Interior de la República)  
F: 52 55 58 09 56 60

### Brazil Ascoval Ind.e Comercio Ltda

P: (55) 11-4208-1700  
F: (55) 11-4195-3970