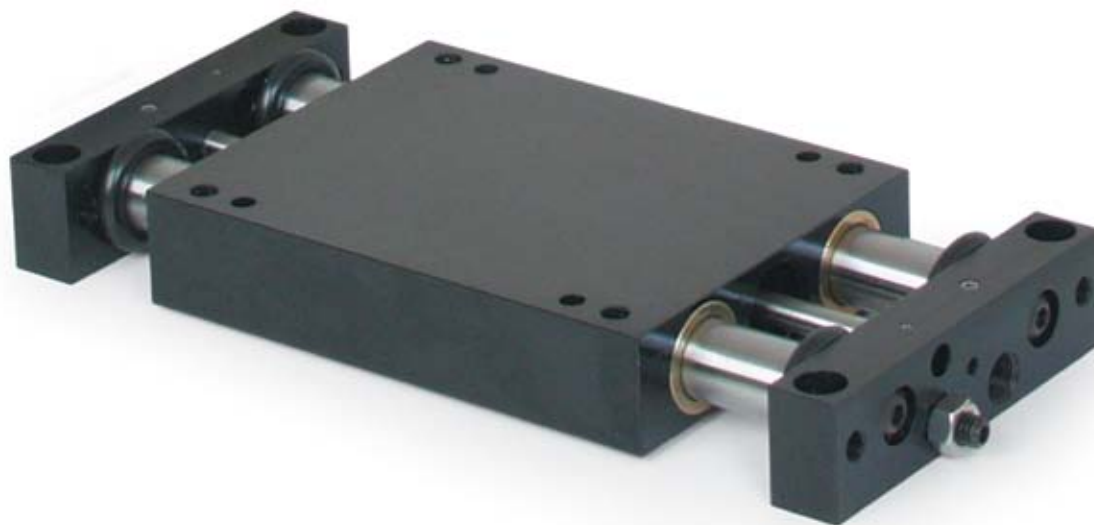


NUMATICS®

PBS Series

Power Block Slide



www.numatics.com


EMERSON
Industrial Automation

BCAE
Automation Solutions

青岛秉诚自动化设备有限公司
地址：中国·青岛市重庆南路99号海尔云街甲3号楼7F

服务热线：4006-918-365
网址：<http://www.ivalve.cc>

传真：(86-532)585-10-365
Email：sales@bechinas.com

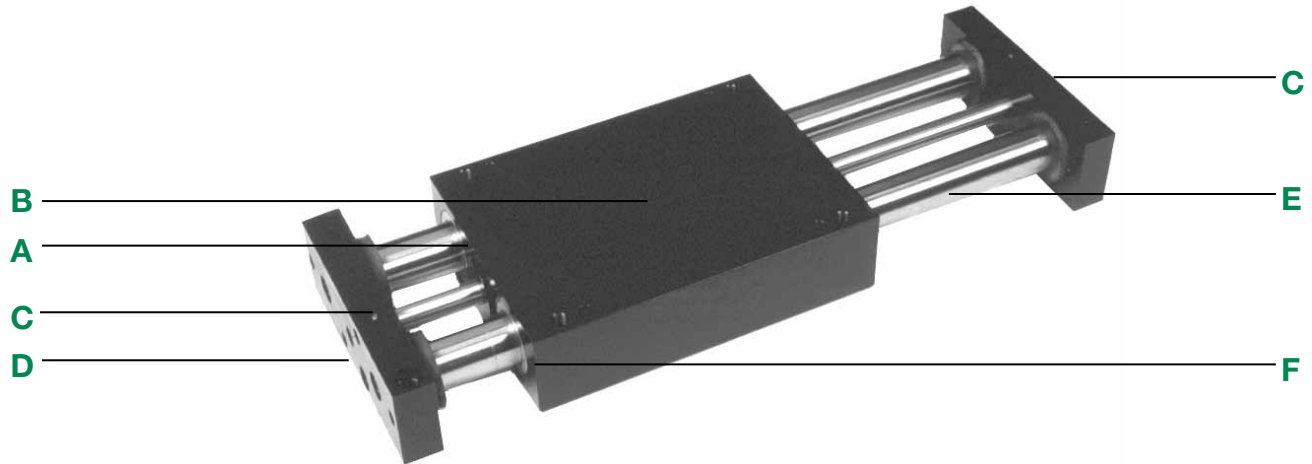
PBS Series

Features and Benefits	3
How To Order	4
Technical Specifications	4
Dimensions	5
Quick Disconnect Cables	6
Switch Information	6-7

PBS-Series Power Block Slides

Designed for applications where space is at a minimum.

The PBS-Series has an internally built-in air cylinder in the carriage assembly, reducing overall length. The carriage assembly is supported by four recirculating linear ball bearings and two hardened guide shafts.



A. Carriage:

Four recirculating linear ball bearings. Easy access mounting and dowel location holes.

B. Air Cylinder:

Internally housed in carriage. Low friction U-cup lip seals for long service life.

C. Tool Bars:

Standard dowel locating holes and accurately milled locating slots. Machined to accept industry standard shock absorbers, and position proximity switch sensors.

D. Stroke Adjusting Screw:

Easy access stroke adjusting screws for exact carriage stroke. Adjustable in both directions.

E. Guide Shafts:

Hardened Steel to RC 60-65

F. Bearings: (Two Choices)

Four linear ball bearings...greatest load capacity, factory lubricated, built-in wipers, self-aligning.
Four PTFE ball bearings...self-lubricating, self-aligning, long service life, ideal for cleanroom.

How to Order

PBS 075 03 LB 1 4 C 4

Bore Sizes

- 075 = 3/4 Inch
- 100 = 1 Inch
- 125 = 1-1/4 Inches

Standard Stroke

- 01 = 1"
- 02 = 2"
- 03 = 3"
- 04 = 4"
- 05 = 5"
- 06 = 6"

NOTE: Max. stroke
PBS075-4.0
PBS100-5.0
PBS125-6.0

Bearing Option

- LB = Linear Ball
- TB = PTFE Bearing

Seal Option

- 1 = Buna-N Seals
- 2 = FKM Seals

Shock Absorbers

- 1 = Extend
- 2 = Retract
- 3 = Extend and Retract
- 4 = No Shocks

Sensing Position

- A = Single Position Extend
- B = Single Position Retract
- C = Two Position Sensing
- D = No Sensing

Sensing Type

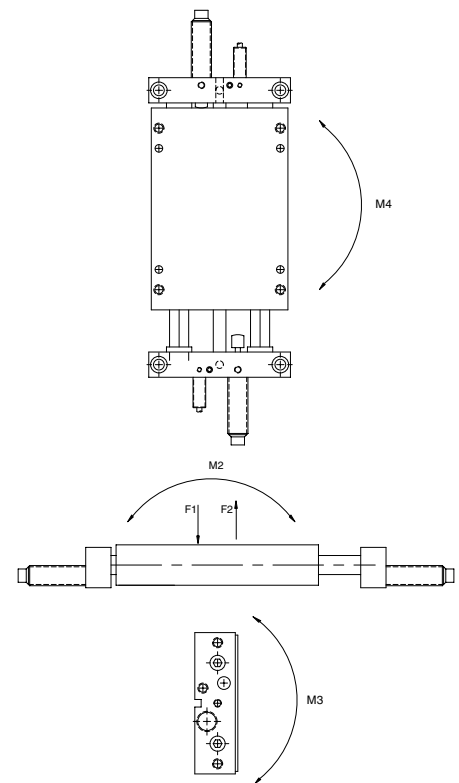
- Standard Cord Set
 - 4 = Prox Switch - PNP (sourcing)
 - 5 = Prox Switch - NPN (sinking)
 - 6 = No Sensing
 - Quick Disconnect Cord Set
 - W = Prox Switch - PNP (sourcing) Straight
 - V = Prox Switch - NPN (sinking) Straight
 - U = Prox Switch - PNP (sourcing) 90 Deg.
 - T = Prox Switch - NPN (sinking) 90 Deg.
- Prox switches are 8 mm diameter.

When ordering additional switches:

Switch Description	Standard Part No.	Quick Disconnect Part No.
Prox Switch - PNP (Sourcing)	PROX-8FL2-PN	PROX-8QDS-PN
Prox Switch - NPN (Sinking)	PROX-8FL2-PN	PROX-8QDS-PN
Quick Disconnect Cable	-	PXCST
90° 5 meter cable	-	PXC90

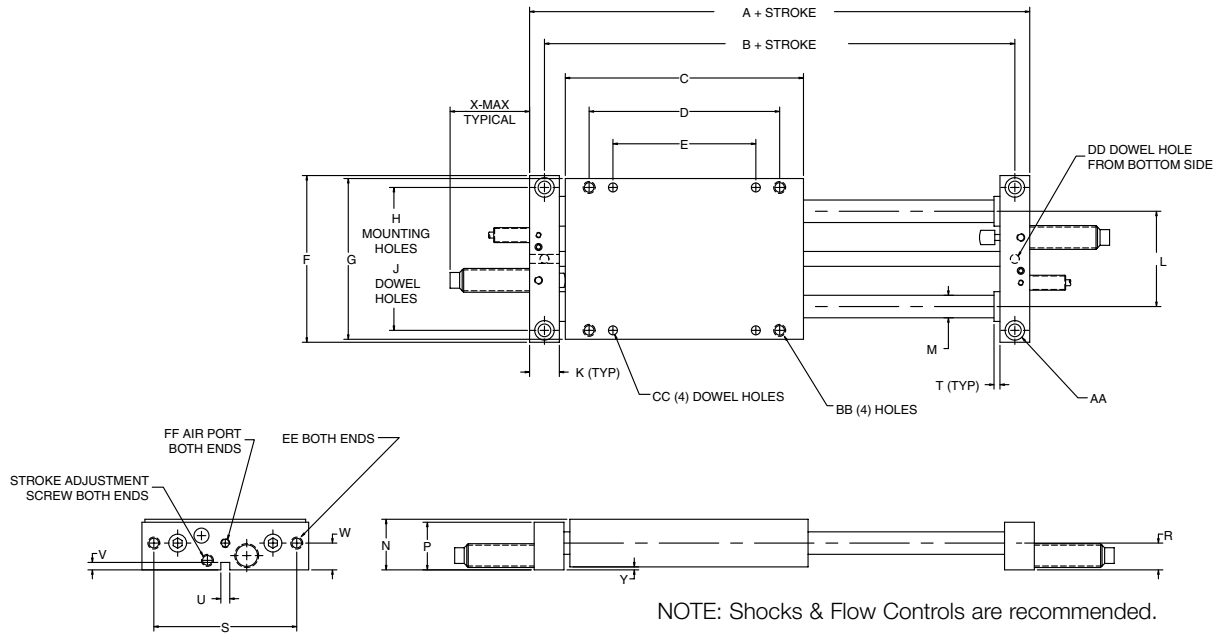
Technical Specifications

	PBS075	PBS100	PBS125
Max. Air Pressure	120 psi	120 psi	120 psi
Thrust force @ 100 psi	31 lbs	62 lbs	100 lbs
Maximum Stroke	4.00	5.00	6.00
Cylinder Bore Dia.	0.75	1.00	1.25
F1 Load	90 lbs	275 lbs	520 lbs
F2 Load	90 lbs	275 lbs	520 lbs
Deflection @ max Load & Stk	0.003	0.003	0.003
M2 Moment	120 in.-lbs.	275 in.-lbs.	450 in.-lbs.
M3 Moment	200 in.-lbs.	750 in.-lbs.	1590 in.-lbs.
M4 Moment	200 in.-lbs.	750 in.-lbs.	1590 in.-lbs.



Dimensions: Inches

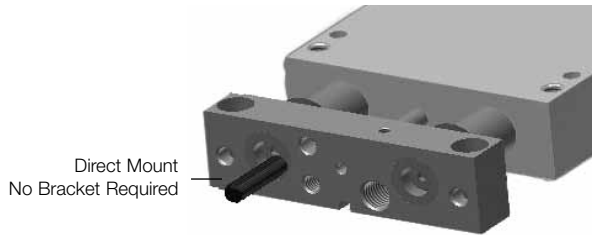
PBS-Series Power Block Slide Dimensions



	PBS075	PBS100	PBS125
A	6.500	8.000	9.000
B	5.875	7.250	8.250
C	5.000	6.000	7.000
D	4.000	5.000	5.750
E	3.000	4.000	4.750
F	3.500	4.500	5.000
G	3.375	4.375	4.870
H	3.000	3.875	4.375
J	2.999/3.001	3.874/3.876	4.374/4.376
K	0.625	0.750	0.750
L	2.000	2.440	2.730
M	.472	0.788	0.985
N	1.060	1.313	1.813
P	1.000	1.250	1.750
R	0.563	0.687	0.938
S	3.000	3.875	4.375
T	0.125	0.250	0.250
U	0.1877/0.1892	0.1877/0.1892	0.1877/0.1892
V	0.156	0.156	0.156
W	0.563	0.688	0.938
X	2.200	2.200	2.200
Y	0.063	0.063	0.063
AA	CLEARANCE FOR 1/4 SHCS	CLEARANCE FOR 5/16 SHCS	CLEARANCE FOR 5/16 SHCS
BB	1/4-20 X 0.50 DEEP	5/16-18 X 0.63 DEEP	5/16-18 X 0.63 DEEP
CC	0.1892/0.1877 THRU	0.2505/0.2510 THRU	0.2505/0.2510 THRU
DD	0.1877/0.1892 X 0.25 DEEP	0.1877/0.1892 X 0.25 DEEP	0.1877/0.1892 X 0.25 DEEP
EE	1/4-20 THRU	5/16-18 THRU	5/16-18 THRU
FF	#10-32	#10-32	1/8 NPTF

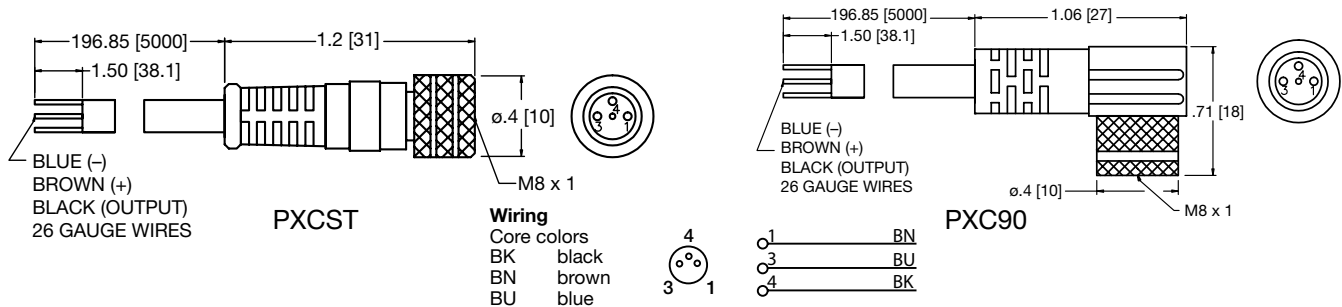
PBS Series Switch Information

PBS Series Gantry



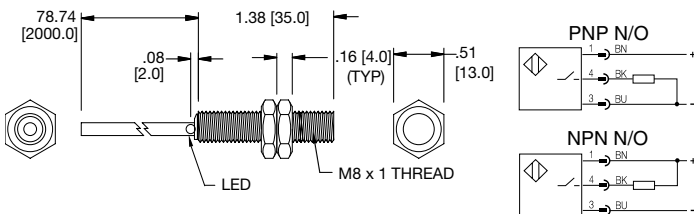
Sensor Description	Standard Cord Set	Quick Disconnect
Prox PNP	PROX-8FL2-PN	PROX-8QDS-PN
Prox NPN	PROX-8FL2-PN	PROX-8QDS-PN

Quick Disconnect Cables



Order Code	Type	Operating Voltage	Current Rating	Cable Material	Protection	Connector
PXCST	Straight 5 m Cable (3 x 26 Gauge wire)	60 AC/75 DC	3 A	PUR	IP 68, III	M8
PXC90	90° 5 m Cable (3 x 26 Gauge wire)	60 AC/75 DC	3 A	PUR	IP 68, III	M8

Prox Switch (PNP & NPN NO) Flying Leads - PROX-8FL2-PN



Electrical Design

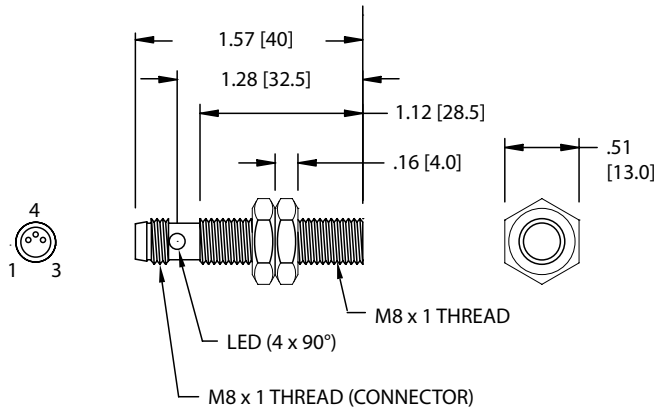
Output: 3-Wire DC PNP; 2-Wire DC PNP/NPN
 Normally Open
 Operating Voltage: 10-30 VDC
 Current Rating: 100 mA
 Minimum Load Current: 2 mA*
 Leakage Current: < .5 mA
 Short Circuit Protection: Yes (Non-Latching)
 Overload Protection: Yes
 Reverse Polarity Protection: Yes
 Voltage Drop: < 2.8V
 Current Consumption: < 10 mA**
 Switching Frequency: > 1000 Hz
 Ambient Temperature: 0°C to 70°C
 Protection: IP 67, III
 Hysteresis: 1 - 15% OF Sr
 Operating Distance: 0 - 2.4mm
 Correction Factor: Mild Steel=.1, Stainless Steel=.7, Brass=.5, Alum.=.4, Copper=.3
 Brass with Bronze Coated

Housing Material

Function Display Switching Status: Yellow LED
 Connection: PVC Cable, 2m, 3 x .14mm²
 Remarks: *Only in 2-Wire Operation
 **Only in 3-Wire Operation

*Switches are not designed for wet environments. Please see your distributor for additional information.

Prox Switch (PNP & NPN NO) 8 mm connector - PROX-8QDS-PN



Electrical Design

Output
 Operating Voltage
 Current Rating
 Minimum Load Current
 Leakage Current
 Short Circuit Protection
 Overload Protection
 Reverse Polarity Protection
 Voltage Drop
 Current Consumption
 Switching Frequency
 Ambient Temperature
 Protection
 Hysteresis
 Operating Distance
 Correction Factor

Housing Material

Function Display Switching Status
 Connection
 Remarks

Accessories
 Agency Approvals

3-Wire DC PNP;
 2-Wire DC PNP/NPN
 Normally Open
 10-30 VDC
 100 mA
 2 mA*
 < .5 mA
 Yes (Non-Latching)
 Yes
 Yes
 < 2.8V
 < 10 mA**
 > 1000 Hz
 0°C to 60°C
 IP 67, III
 1 - 15% OF Sr
 0 - 2.4mm
 Mild Steel=1, Stainless Steel=.7,
 Brass=.5, Alum.=.4, Copper=.3
 Brass with Bronze Coated;
 Active Face: LCP
 Yellow LED (4 x 90°)
 M8 Connector
 *Only in 2-Wire Operation
 **Only in 3-Wire Operation
 2 M8 Lock Nuts Included



*Switches are not designed for wet environments. Please see your distributor for additional information.

NUMATICS®

World Class Supplier of Pneumatic Components



World Headquarters

USA Numatics, Incorporated

46280 Dylan Drive
Novi, Michigan 48377

P: 248-596-3200
F: 248-596-3201

Canada Numatics, Ltd

P: 519-758-2700
F: 519-758-5540

México - Ascomatica SA de CV

P: 52 55 58 09 56 40 (DF y Area metropolitana)
P: 01 800 000 ASCO (2726) (Interior de la República)
F: 52 55 58 09 56 60

Brazil Ascoval Ind.e Comercio Ltda

P: (55) 11-4208-1700
F: (55) 11-4195-3970