

CATALOG
accessories

FRL Accessories

Pressure Switches, Gauges and Options

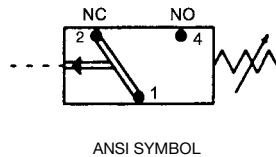


numatics®

FRL Accessories <i>Pressure Switches, Gauges & Options</i>	3-12
PS180 Pressure Switches	3
PS182 Pressure Switches	4
Reclassifiers	5
Electronic Drain Valves	6
Inline Filters - L Series	7
Oxygen Concentrator Regulator	8-9
Gauges	10
Mounting Brackets	11
Mounting Air Systems	12



PS180 Pressure Switches



Application

Numatics PS180 is a line of pressure switches designed for accurate indication that proper system pressure is being achieved. Available in 1/8 or 1/4 threads, it is easily incorporated into an air system using a **FLEXIBLOK®** diverter plate of other manifold.

Featuring a rugged housing made from zinc coated steel, the PS180 is designed for industrial multi-million cycle life applications. The four pin connector plug is included and contains a key way preventing accidental misconnection. Pressure adjustment is tamper resistant, hindering unauthorized changes. It can be wired in either normally open or normally closed configurations and includes a case ground pin.

Specifications

Contact Rating: 4A @ 250 V AC
 Protection: IP 65, terminals IP00
 Maximum Operation: 200/min
 Temperature Range: 0° F to 190° F (-15° C to 85° C)
 Maximum Pressure: 300 PSI (20 bar)
 Maximum Voltage: 250 V AC (200 DC)
 Hysteresis Adjustment: 15%
 Connector Material: polyamid
 Diaphragm Material: Buna N
 Housing Material: zinc plated steel

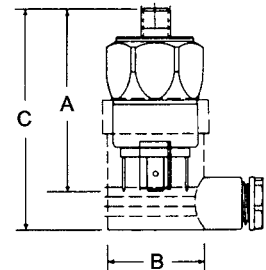
Dimensions in inches (millimeters in parenthesis)

NPTF Thread Dimensions

MODEL	A	B	C
PS180BAN01	2.5 (64)	1.0 (27)	3.1 (79)
PS180CAN01	2.5 (64)	1.0 (27)	3.1 (79)
PS180BAN02	2.5 (64)	1.0 (27)	3.1 (79)
PS180CAN02	2.5 (64)	1.0 (27)	3.1 (79)

BSPP Thread Dimensions

MODEL	A	B	C
PS180BAG02	2.3 (58)	1.0 (27)	2.9 (74)
PS180CAG02	2.3 (58)	1.0 (27)	2.9 (74)



NPTF Thread Model Selection

NPTF	MODEL	PSIG (BAR)
1/8	PS180BAN01	4-20 (.3-1.5)
1/8	PS180CAN01	14-150 (1-10)
1/4	PS180BAN02	4-20 (.3-1.5)
1/4	PS180CAN02	14-150 (1-10)

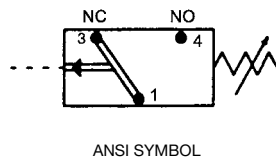
BSPP Thread Model Selection

BSPP	MODEL	PSIG (BAR)
1/4	PS180BAG02	4-20 (.3-1.5)
1/4	PS180CAG02	14-150 (1-10)

Use "G" suffix for gold plated terminals (for applications below 50 mA), i.e. PS180BAN02G



PS182 Pressure Switches



Application

Numatics PS182 is the most rugged of the Numatics Pressure Switches. Available in 1/8 or 1/4 NPT and BSPP threads, it is easily incorporated into an air system using a FlexiBlok diverter plate or diverter block.

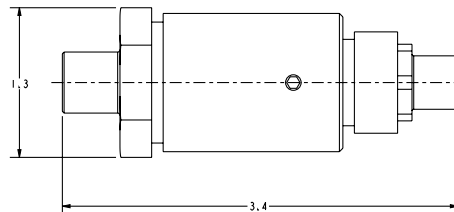
The unique 12 mm, micro connector makes it simple for electrical connection. The knurled knob with tamper resistant hex screw makes it the easiest pressure adjustment on the market. It can be wired in either a normally open or normally closed configuration.

Specifications

Hysteresis Adjustment	10%
Pressure Ranges:	2-10, 6-30, 20-130
Max Pressure:	600 psi
Set Point Tolerance:	+/- 1 Psi or 5%
*Contact Rating:	4A
Diaphragm Material:	Buna N
Max Operating Cycles:	200/min
Temperature Range:	-40 to 250 F (-40 to 121 C)
Voltage Range:	12 V DC to 250 V AC
Sealing/Protection:	IP 65
Housing Material:	Brass
Electrical Connection:	3-Pin Micro (12 mm)

*Comes standard with gold plated contacts.

Dimensions in inches (millimeters in parenthesis)



NPTF Thread Model Selection

NPTF	MODEL	PSIG (BAR)
1/8 NPT	PS182AAN01	2-10 (0.14-0.69)
1/8 NPT	PS182BAN01	6-30 (0.40-2.07)
1/8 NPT	PS182CAN01	20-130 (1.38-8.96)
1/4 NPT	PS182AAN02	2-10 (0.14-0.69)
1/4 NPT	PS182BAN02	6-30 (0.40-2.07)
1/4 NPT	PS182CAN02	20-130 (1.38-8.96)

BSPP Thread Model Selection

BSPP	MODEL	PSIG (BAR)
1/8 BSPP	PS182AAG01	2-10 (0.14-0.69)
1/8 BSPP	PS182BAG01	6-30 (0.40-2.07)
1/8 BSPP	PS182CAG01	20-130 (1.38-8.96)
1/4 BSPP	PS182AAG02	2-10 (0.14-0.69)
1/4 BSPP	PS182BAG02	6-30 (0.40-2.07)
1/4 BSPP	PS182CAG02	20-130 (1.38-8.96)

Female Single Ended Cordset

CONNECTOR TYPE	CONNECTOR LENGTH	MODEL NUMBER
90° Elbow	5 Meters	PS182-5-90
Straight	5 Meters	PS182-5-ST



Reclassifiers



H40-08 pictured

Application

The Numatics Reclassifier is an exhaust coalescing filter/silencer. Its design removes oil mist and reduces noise from exhaust ports on pneumatic air valves, cylinders, and air control systems at extremely high flow rates.

The Numatics Reclassifier can be mounted to exhaust ports on any valve or manifold using a common exhaust base or by combining exhaust ports. Mounting it vertically fully utilizes the oil-catching sump surrounding the filter element and provides easy draining.

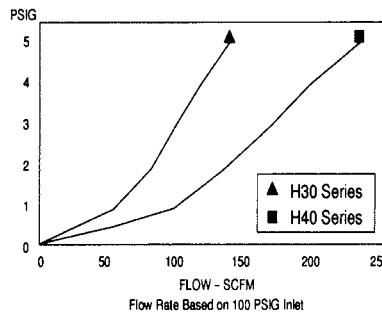
Features

- 99% oil removal efficiencies
- 25 dBA noise reduction
- high exhaust flow rates
- low differential back pressures
- top performer in automated paint systems
- 1 micron filtration
- manual or continuous drain option
- metric threads available

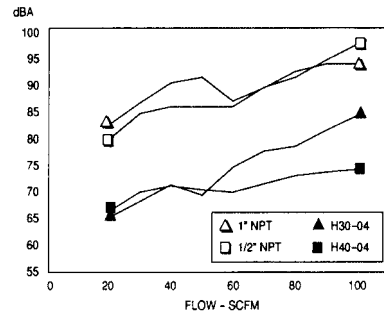
Specifications

Maximum temperature: 125° F (52° C) CV rating (30 Series): 6
Maximum pressure: 100 PSIG (7 bar) CV rating (40 Series): 10

Air Flow vs. Back Pressure



Air Flow vs. Sound Level



Reclassifiers

► Element Replacement Kits

includes filter element only

kit #	description
EKF30H	30 Series, 1 micron coalescer
EKF40H	40 Series, 1 micron coalescer

► Bowl Replacement Kits

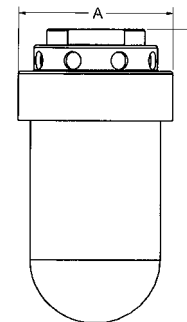
includes bowl and o-ring

kit #	description
BKF30	30 Series, polycarbonate bowl
BKF30C	30 Series, CircleVision™ bowl
BKF30M	30 Series, metal bowl
BKC40	40 Series, polycarbonate bowl

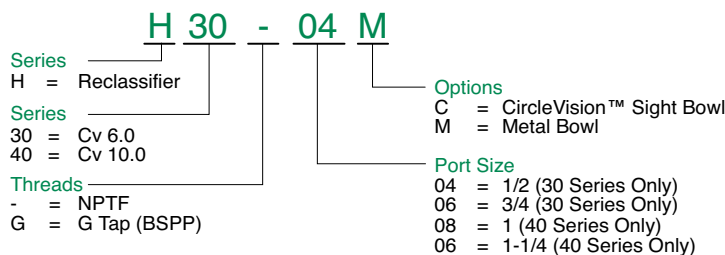
Dimensions

top dimensions = inches
bottom dimensions (in parenthesis) = millimeters

MODEL	A	B
H30-04	2.5 (64)	7 (178)
H30-06	2.5 (64)	7 (178)
H40-08	3.75 (95)	7.245 (184)
H40-10	3.75 (95)	7.245 (184)



How to Order





FRL Accessories Pressure Switches, Gauges & Options

NUMATICS®

Electronic Drain Valves



EDV-04-110AC pictured

Application

Eliminate the manual draining of air lines with the EDV Series Electronic Drain Valve from Numatics. The EDV Series valve is designed to remove condensation from filters, receiver tanks, separators, drip legs, drain traps, and dryers in electronically controlled intervals. The EDV valve is available in 1/4, 3/8, and 1/2 sizes. The large orifice allows even the largest rust and pipe scale particles to be easily expelled. Standard model includes a 110 volt AC solenoid, 6 ft (2 m) power cord, and grounded plug. An EDV valve can be installed virtually anywhere.

Specifications

Valve

- Function: 2 way, NC, solenoid valve
- Valve Design: pilot operated diaphragm valve
- Port Sizes: 1/4, 3/8
- Orifice: 5/16" (8mm) 1.12 Cv 1/2" (12mm) 2.45 Cv
- Operating Pressure: 20-300 PSIG (1.3-20 bar)
- Solenoid: continuous duty
- Mounting: any position
- Body Material: brass

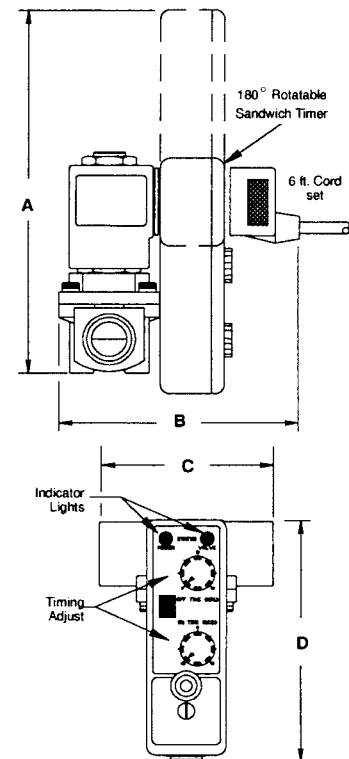
Timer

- Material: plastic polyamid
- Interval Timer: 1-45 min.
- 'On' Timer: .25-25 sec
- Voltage: 12-230 V AC/DC
- Frequency: 50/60 Hz
- Power Rating: 10 watt
- Enclosure: NEMA 4 / IP65
- Ambient Temp: 130° F (55° C)

Lights

- Left Indicator: power on
- Right Indicator: solenoid engaged

Dimensions



PORT SIZE	A	B	C	D
1/4,3/8	5.75 (146)	3.5 (89)	2.25 (57)	3.75 (95)
1/2	6.0 (152)	3.5 (89)	2.75 (70)	3.75 (95)

dimensions in inches (millimeters in parentheses)

How to Order

EDV - 04 - 110 AC

Model

EDV = Electronic Drain Valve

Threads

- = NPT
B = BSPT

Port Size

02 = 1/4
03 = 3/8
04 = 1/2

Current

AC
DC

Voltage

12
24
110
230

Connector

- = 6 ft. (2 Meter) Power Cord
(with grounded plug)
X = Conduit Connector



Inline Filters

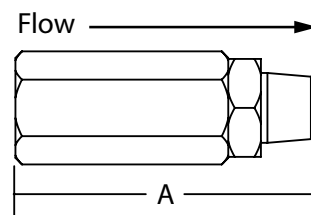
L Series

L Series in-line filters are designed to protect small air tools such as grinders, impact wrenches, nut runners, screwdrivers or pneumatic components. It will extend component life and reduces downtime by preventing foreign particles from entering the tool. Therefore eliminating expensive tool repair.

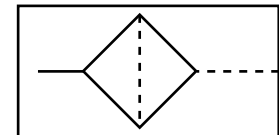
Its compact and lightweight anodized aluminum body can be easily installed directly inline before the tool or component.

L Series inline filters can also be used in low-pressure hydraulic applications. They can remove debris or contaminants, hence decrease tool wear and improve system efficiency. The 40-micron filter element insures minimum pressure drop and can be easily replaced or cleaned.

Drawings



ANSI Symbol



Specifications

Model	L1MN	L2MN	L3MN	L4MN	L5MN
Port Size	1/8"	1/4"	3/8"	1/2"	3/4"
Overall Length (A)	2-3/16"	2-3/16"	2-5/16"	3-13/16"	3-7/8"
HEX (B)	3/4"	3/4"	7/8"	1-1/2"	1-1/2"
Material	Body Anodized Aluminum Element Sintered Bronze (40 micron standard)				
MAX Operating Pressure	300 PSI (21.1 ig./cm ²)				
Operating Temperature	35~200°F (1.6~93.3°C)				

Flow

Flow is based on 100 psi inlet and the Delta P shown below.

Model	5 PSID	4 PSID	3 PSID	2 PSID	1 PSID
L1MN	21	19	18	13	6
L2MN	37	24	20	15	10
L3MN	33	26	24	19	10
L4MN	150	95	80	50	20
L5MN	195	188	165	130	25

Element Kits

L1, L2, L3 MN	EKL123
L4, L5 MN	EKL45



Oxygen Concentrator Regulator



Application

The 03 series specialty miniature regulator is designed for applications requiring precision control at a very low cost. Used primarily in OEM applications, the 03 series can be applied in applications using air, nitrogen, oxygen, water, and other inert gases/fluids. Its lightweight all plastic design allows use in many specialty environments. This regulator has been applied successfully in many different markets including:

- Oxygen: concentrators, analyzers, anesthesia
- Adhesive: Applicators, metering equipment
- Paint: spray systems, head control
- Water service: filtration, control, aeration
- Test equipment: leak test, air gauging, flow test

Features

- Flows accurate to 0.1 psi in low flow applications
- Four spring ranges available as a standard. 0-15 psi, 0-30 psi, 0-60 psi, 0-100psi.
- Relieving or non relieving models.
- Tamper-resistant or adjustable designs available.

- Body Design Features

101 / 102 series

- Barb fitting outlet designed for use with 1/4 inch id tubing allows fast assembly.
- Threaded 1/8 supply is male eliminates extra fitting.
- Tamperproof or preset knob.

201 / 202 series

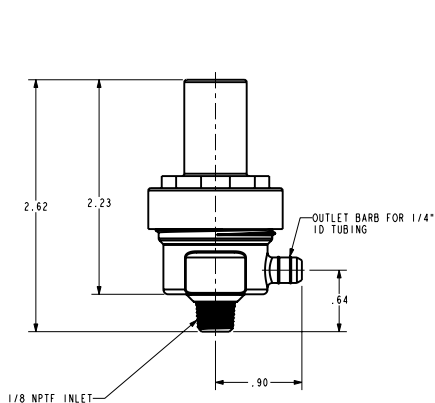
- Barb fitting outlet designed for use with 1/8 inch id tubing allows fast assembly.
- Manifold inlet and outlet ports.
- Quick assembly with fixed height dimension.
- Tamperproof or preset knob.

Specifications

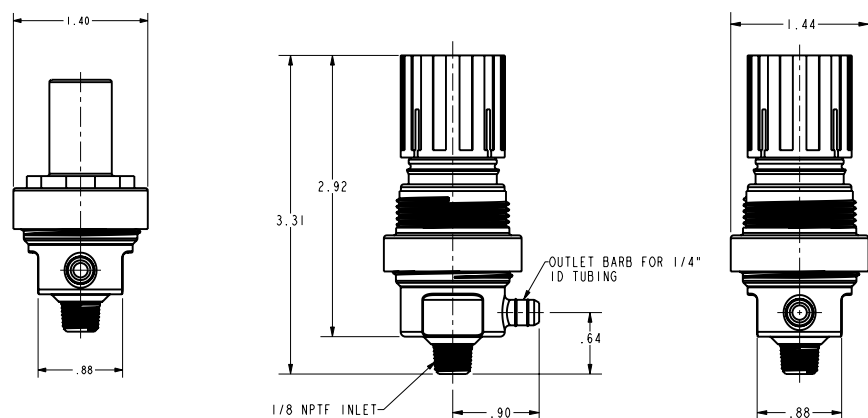
Temperature Range: 40-120F (4-50C)
 Max inlet Pressure: 150 PSIG (10bar)
 Weight:
 SCFM with 100psi inlet set at 75 psi: 70 lpm
 SCFM with 100psi inlet set at 60 psi: 50 lpm
 SCFM with 100psi inlet set at 40 psi: 30 lpm
 SCFM with 100psi inlet set at 10 psi: 10 lpm
 Body Material: Delrin

Dimensions in inches (millimeters in parenthesis)

R03N-101



R03N-102

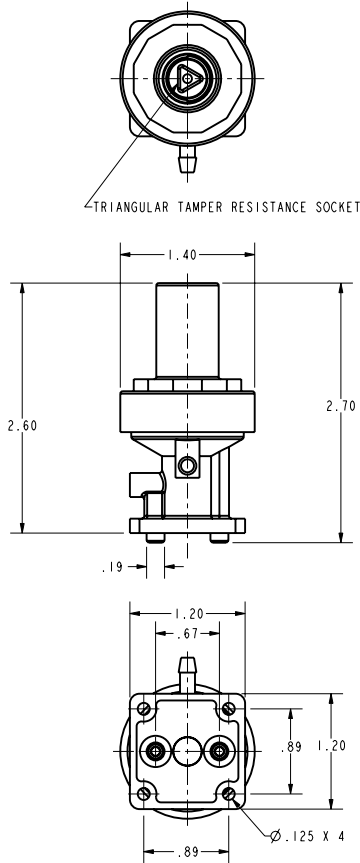




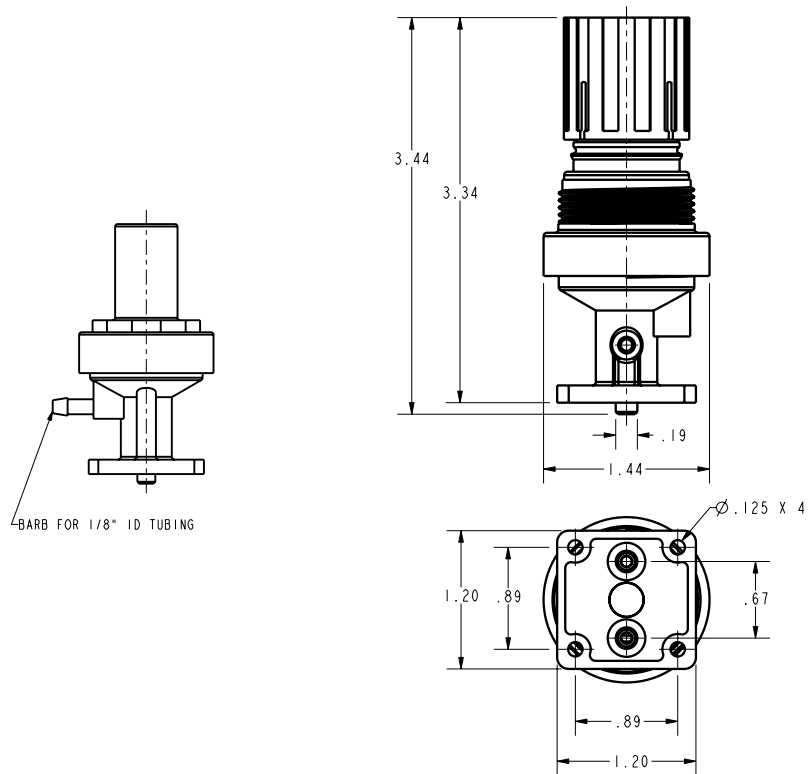
Oxygen Concentrator Regulator

Dimensions in inches (millimeters in parenthesis)

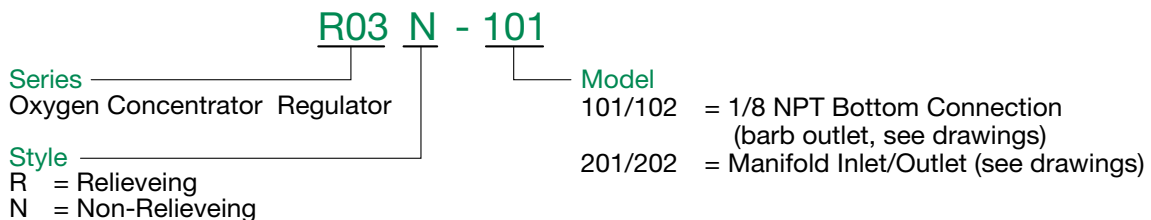
R03N-201



R03N-202



How to Order





FRL Accessories Pressure Switches, Gauges & Options

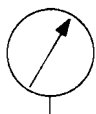
Gauges



GA300 pictured



214-194 pictured



ANSI SYMBOL

Application

Numatics gauges are widely used on compressors, filter/regulators ('piggy-backs'), water pumps, paint sprayers, and a variety of other applications for measuring the pressure of the air passing through the component.

Numatics Liquid Filled pressure gauges provide maximum service life for your pneumatic gauge applications. Each glycerine filled model is designed to prevent harmful environments or severe vibration from causing premature gauge failure.

Features

- Utilizes a Power Flex movement with polyester segment, contributing to longer gauge life.
- ABS (Acrylonitrile, Butadiene, Styrene) casing is ideal for rugged applications and harsh environmental conditions
- Full view polycarbonate window for better dial visibility.

Specifications

All Numatics Gauges

Sizes: 1.5", 2"

Case: Black ABS Composite

Ring: None

Window: Polycarbonate

Dial: Green, Red, and Black on White Background

Pointer: Black Aluminum

Socket: Brass

Liquid Filled Gauges

Liquid Used: Glycerine

Connection: Center Back Mount

Available Models

Numatics Gauges

MODEL	FACE DIAMETER	THREAD SIZE	PRESSURE RANGE (PSIG)	PRESSURE RANGE (BAR)
GB005	2.0"	1/4 NPT	0-5	0-0.5
RB005	2.0"	1/4 BSPT	0-5	0-0.5
GB015	2.0"	1/4 NPT	0-15	0-1.0
RB015	2.0"	1/4 BSPT	0-15	0-1.0
GA030	1.5"	1/8 NPT	0-30	0-2.0
RA030	1.5"	1/8 BSPT	0-30	0-2.0
GA060	1.5"	1/8 NPT	0-60	0-4.0
RA060	1.5"	1/8 BSPT	0-60	0-4.0
GA100	1.5"	1/8 NPT	0-100	0-7.0
RA100	1.5"	1/8 BSPT	0-100	0-7.0
GA160	1.5"	1/8 NPT	0-160	0-11.0
RA160	1.5"	1/8 BSPT	0-160	0-11.0
GA300	1.5"	1/8 NPT	0-300	0-20.0
RA300	1.5"	1/8 BSPT	0-300	0-20.0
GB030	2.0"	1/4 NPT	0-30	0-2.0
RB030	2.0"	1/4 BSPT	0-30	0-2.0
GB060	2.0"	1/4 NPT	0-60	0-4.0
RB060	2.0"	1/4 BSPT	0-60	0-4.0
GB100	2.0"	1/4 NPT	0-100	0-7.0
RB100	2.0"	1/4 BSPT	0-100	0-7.0
GB160	2.0"	1/4 NPT	0-160	0-11.0
RB160	2.0"	1/4 BSPT	0-160	0-11.0
GB300	2.0"	1/4 NPT	0-300	0-20.0
RB300	2.0"	1/4 BSPT	0-300	0-20.0

Numatics 14 Series Manifold Regulator Gauges

MODEL	FACE DIAMETER	THREAD SIZE	PRESSURE RANGE (PSIG)	PRESSURE RANGE (BAR)
GB060A	1.5"	1/4 NPT	0-60	0-4.0
RB060A	1.5"	1/4 BSPT	0-60	0-4.0
GB160A	1.5"	1/4 NPT	0-160	0-11.0
RB160A	1.5"	1/4 BSPT	0-160	0-11.0

Numatics Liquid-Filled Gauges

MODEL	FACE DIAMETER	THREAD SIZE	PRESSURE RANGE (PSIG)	PRESSURE RANGE (BAR)
214-194	1.5"	1/8	0-160	0-11
214-195	2.0"	1/4	0-160	0-11
214-196	1.5"	1/8	0-60	0-4

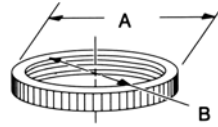


Mounting Brackets

Application

Mounting brackets are used to fix a regulator, piggy-back or **FLEXIBLOK®** assembly to a panel as an alternative to the integral mounting holes located in the 22, 32 and 42 Series **FLEXIBLOK®** heads. They are also used as an alternative to a hard piped mounting system for the 12, 50, 70 and 72 Series filter product lines.

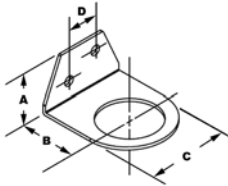
Panel Mount Nuts



Panel mount nuts thread onto the bonnet of the regulator to secure the unit against the mounting bracket.

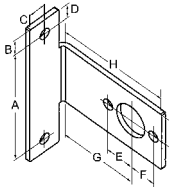
MODEL	SERIES	A	B	HOLE DIA.
PN12	12 Series FlexiBlok 72 Series Stainless	1.5 (38)	1-3/16-16	1.25 (32)
PN22	22 Series FlexiBlok	1.5 (38)	1-1/4-16	1.31 (33)
PN32P	32 Series FlexiBlok	2.05 (52)	1-3/4-16	1.77 (45)
PN70S	70 Series Stainless Steel	2.0 (51)	1-3/4-18 UNS-2B	1.75 (44)

Models and Dimensions



PK12, PK22 Mounting Bracket for 12 and 22 Series FLEXIBLOK® Regulator and Piggyback
includes bracket and panel mount nut (see panel mount nut dimensions below)

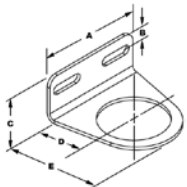
Series	Model #	Dimensions			
		A	B	C	D
12,22	PK12 & PK22	1.05 (27)	1.19 (30)	1.75 (44)	.625 (16)



BRK14AB Mounting Bracket for 14 Series FLEXIBLOK® Regulator and Piggyback
includes left and right brackets, 2 left side bolts, and 2 right side nuts (see dimensions below)

Kit #	Dimensions								
	A	B	C	D	E	F	G	H	I
BRK14AB	2.78 (71)	.35 (9)	.4 (10)	.35 (9)	.6 (15)	.6 (15)	1.8 (46)	2.62 (67)	.73 (19)

The right bracket mounts using the bolts that are included with the unit the bracket is being mounted to.



PK32 Mounting Bracket for 32 Series FLEXIBLOK® Regulator and Piggyback
includes bracket and panel mount nut (see panel mount nut dimensions below)

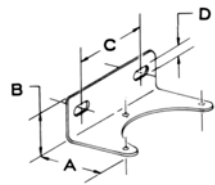
Series	Model #	Dimensions				
		A	B	C	D	E
32	PK32	2.75 (70)	.41 (10)	1.19 (30)	1.5 (38)	2.67 (68)



BRK22AB Mounting Bracket for 22 Series FLEXIBLOK®
includes left bracket, right bracket, 2 right side bolts, 2 right side nuts

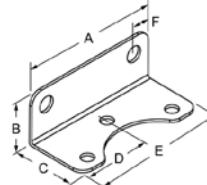
Kit #	Dimensions						
	A	B	C	D	E	F	G
BRK22AB	1.57 (39)	.785 (20)	1.45 (37)	2.9 (74)	.4 (10)	3.5 (89)	1 (25)

dimensions shown for BRK22A. BRK22B is a mirror of BRK22A
Drawing and/or dimensions subject to change



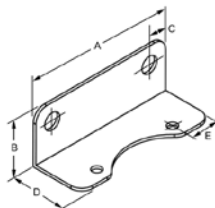
PK50, PK50A, PK50B Mounting Bracket for 50 Series High Flow Regulator
includes one bracket

Port Size	Kit #	Dimensions			
		A	B	C	D
1/4 & 3/8	PK50A	2.25 (57)	1.19 (30)	1.88 (48)	.27 (7)
1/2	PK50B	2.25 (57)	1.06 (27)	1.88 (48)	.27 (7)
3/4 - 1 1/2	PK50	2.94 (75)	1.75 (44)	3.25 (83)	.33 (8)



PK88* Mounting Bracket for R87 Series Ratio Relay Volume Booster and R88 Series High Flow Precision Regulator
includes one bracket

Kit #	Dimensions					
	A	B	C	D	E	F
PK88	3 (76)	1.13 (29)	1.38 (35)	1.5 (38)	3 (76)	.4 (10)



PK89* Mounting Bracket for 89 Series Instrument Air Regulator
includes one bracket

Kit #	Dimensions				
	A	B	C	D	E
PK89	3 (76)	1.13 (29)	.375 (10)	1.12 (28)	.625 (16)



FRL Accessories Pressure Switches, Gauges & Options

NUMATICS®

Modular Air Systems



NOTE: Lockout valve must be placed downstream of filtration equipment, which will prevent damage to components from backflow.

Applications

The modular concept offers custom design capabilities for compact air control systems. This design eliminates fittings and potential air leaks, thus reducing cost, space, and installation time.

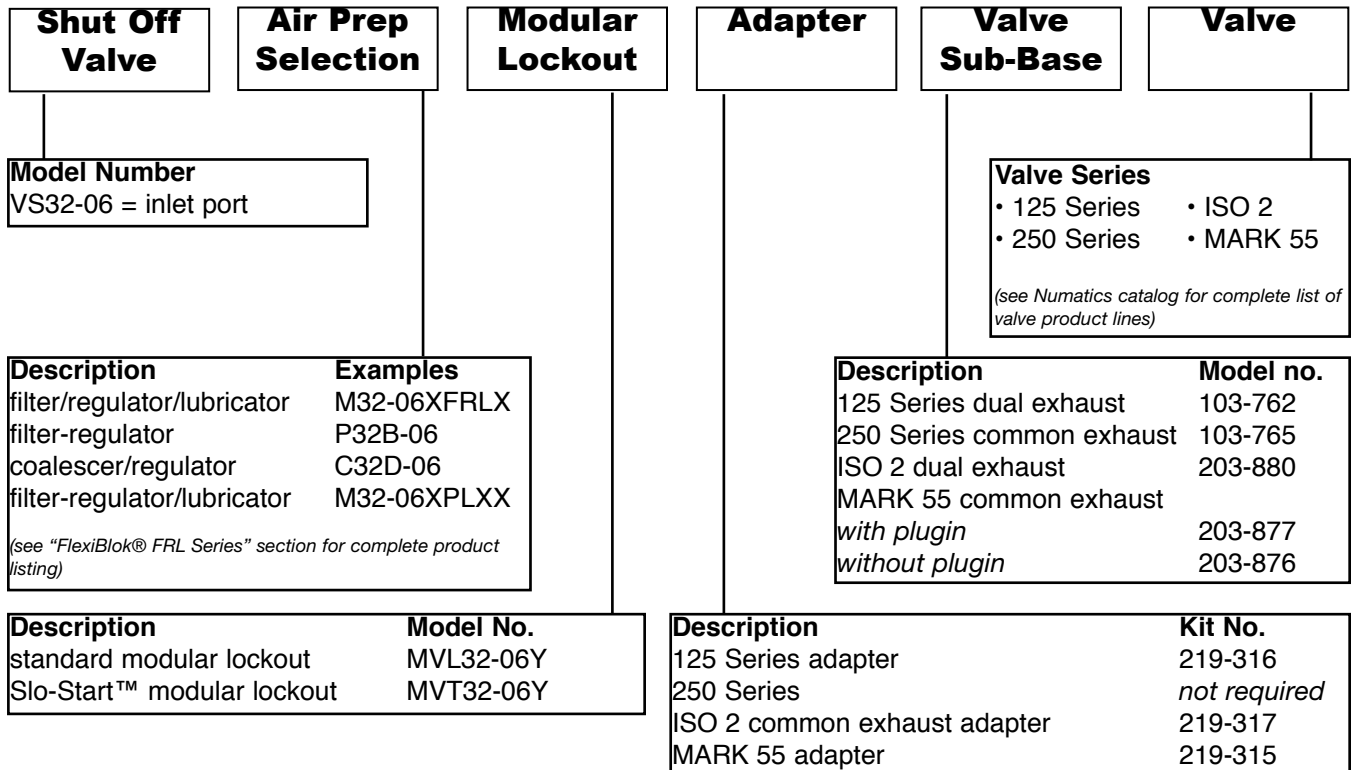
Features

- Modular adaptable to **FLEXIBLOK® 32** Series 3/4 port sizes (06)
- Easy installation and service
- High exhaust capacity
- Low friction startup
- Brad Harrison connection (optional)
- Exhaust reclassifier (optional)
- Slow Start Valve (optional)
- Meets OSHA specifications
- Lockable venting supply slide valve
- Common exhaust

To Order

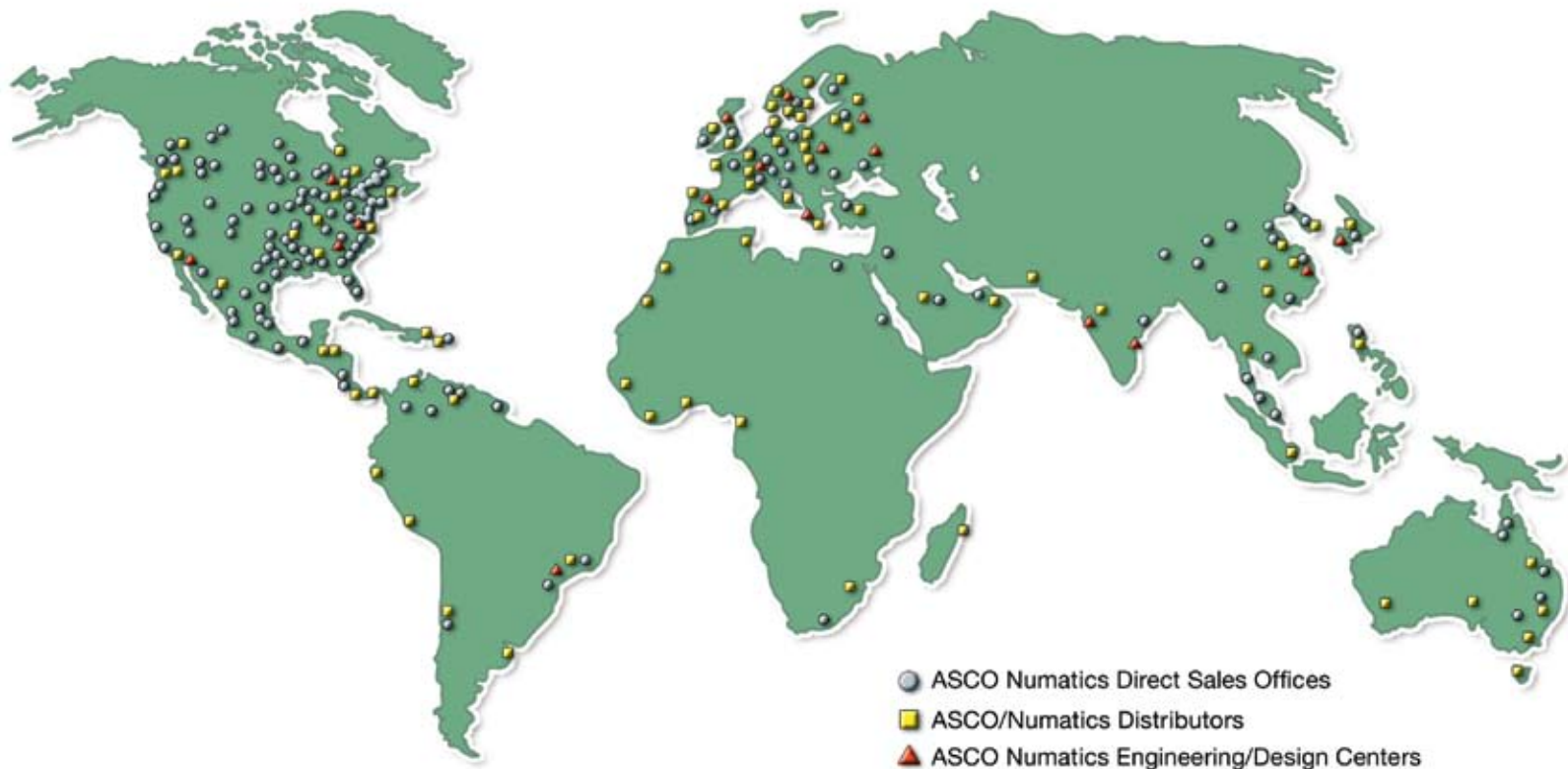
Purchase as individual components from the selections below, or for a complete list of Numatics modular air preparation products, consult your local representative.

32 Series Modular Air Systems How to Order



NUMATICS

World Class Supplier
of Pneumatic Components



WORLD HEADQUARTERS

USA

Numatics, Incorporated

46280 Dylan Drive
Novi, Michigan 48377

P: 1-888-Numatics
1-888-686-2842

Canada

Numatics, Ltd

P: 519-452-1777

Mexico

Numatics de Mexico S.A. de C.V.

P: 52-222-284-6176

For a comprehensive listing of all Numatics production and distribution facilities worldwide, visit:

www.numatics.com