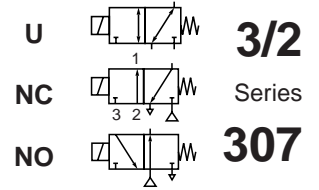




SOLENOID VALVES

direct operated, full flow
cast iron or stainless steel enclosure
1/4 to 1/2



FEATURES

- Three way solenoid valves with orifice and pipe connections in valve body
- Valves do not require a minimum operating pressure
- Brass and stainless steel balanced poppet pressure valves with full flow capacity (Ø 9mm)
- The solenoid valves satisfy all relevant EC Directives

GENERAL

Differential pressure	0 - 10 bar [1 bar = 100kPa]
Maximum viscosity	65 cSt (mm ² /s)
Response times	75 - 100 ms

fluids (*)	temperature range (TS)	seal material (*)
air, inert gas, water, oil	-38 to +50°C	NBR (nitrile)

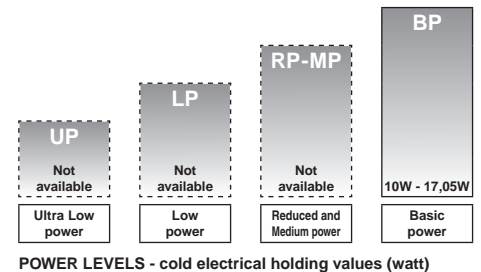
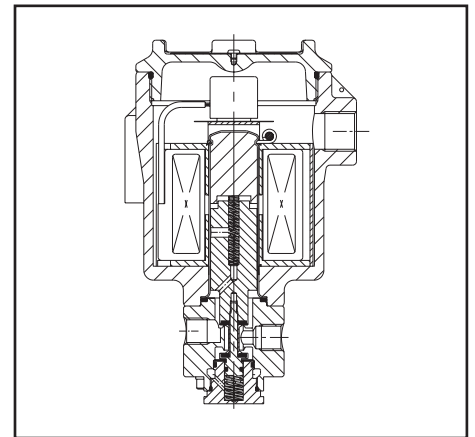
MATERIALS IN CONTACT WITH FLUID

(*) Ensure that the compatibility of the fluids in contact with the materials is verified

	Brass body	Stainless steel body
Body and seat	Brass	AISI 316
Core tube	Stainless steel	Stainless steel
Core and plugnut	Stainless steel	Stainless steel
Springs	Stainless steel	Stainless steel
Poppet Stem	Stainless steel	Stainless steel
Sealings and poppets	NBR	NBR

OTHER MATERIALS

Electrical enclosure	Cast iron (NB)	Cast iron (NB) or Stainless steel (NA)
----------------------	----------------	-------------------------------------------



SPECIFICATIONS

pipe size	orifice size	flow coefficient Kv		operating pressure differential (bar)			power level BP	prefix optional solenoids					basic catalogue number			
								min.	max. (PS)		NEMA 7&9	ATEX / IECEx			IP65	
				air/water (*)	~	=			EF	Ex d NA		Ex d NB	Ex mb PV	Ex ia IS		SC
NPT	(mm)	(m ³ /h)	(l/m)				~/=									
U - Universal																
1/4	9	0,68	11,3	0	8	8	17,05 ⁽¹⁾ /10	-	●	●	-	-	-	B307C018 U	B307C008 U	
3/8	9	0,68	11,3	0	8	8	17,05 ⁽¹⁾ /10	-	●	●	-	-	-	B307C048 U	B307C038 U	
1/2	9	0,68	11,3	0	8	8	17,05 ⁽¹⁾ /10	-	●	●	-	-	-	B307C078 U	B307C068 U	
NC - Normally closed																
1/4	9	0,68	11,3	0	10	10	17,05 ⁽¹⁾ /10	-	●	●	-	-	-	B307C018 F	B307C008 F	
3/8	9	0,68	11,3	0	10	10	17,05 ⁽¹⁾ /10	-	●	●	-	-	-	B307C048 F	B307C038 F	
1/2	9	0,68	11,3	0	10	10	17,05 ⁽¹⁾ /10	-	●	●	-	-	-	B307C078 F	B307C068 F	
NO - Normally open																
1/4	9	0,68	11,3	0	10	10	17,05 ⁽¹⁾ /10	-	●	●	-	-	-	B307C018 G	B307C008 G	
3/8	9	0,68	11,3	0	10	10	17,05 ⁽¹⁾ /10	-	●	●	-	-	-	B307C048 G	B307C038 G	
1/2	9	0,68	11,3	0	10	10	17,05 ⁽¹⁾ /10	-	●	●	-	-	-	B307C078 G	B307C068 G	

● Available feature - Not available ⁽¹⁾ Rectified Coil

All leaflets are available on: www.asconumatics.eu



青岛秉诚自动化设备有限公司
地址：中国·青岛市重庆南路99号海尔云街甲3号楼7F

服务热线：4006-918-365
网址：<http://www.ivalve.cc>

PIC-2-60-GB
传真：(86-532)585-10-365
Email：sales@bechinas.com

PREFIX TABLE

prefix							description	power level			
1	2	3	4	5	6	7		LP	RP	MP	BP
N	A	E	T				Threaded conduit/hole (M20 x 1,5)	-	-	-	●
N	B						Flameproof - 316 SS (EN/IEC 60079-1, 61241-1)*	-	-	-	●
							Flameproof - Cast Iron (EN/IEC 60079-1, 61241-1)*	-	-	-	●
						X	Other special constructions	-	-	-	●

SUFFIX TABLE

suffix					description	power level			
1	2	3	4	5		LP	RP	MP	BP
V					FPM (fluoroelastomer)	-	-	-	●
U					Universal construction	-	-	-	●
F					Normally closed construction	-	-	-	●
G					Normally open construction	-	-	-	●
	C	O			Epoxy coating on all external surfaces	-	-	-	●
	M	B			Mounting bracket	-	-	-	●
			M	O	Push type manual operator	-	-	-	●
			M	S	Screw type manual operator	-	-	-	●

● Available feature

- Not available

* ATEX solenoids are also approved according to EN 13463-1 (non electrical valves)

PRODUCT SELECTION GUIDE

STEP 1

Select basic catalogue number. Refer to the specifications table on page 1.

Example: B307C048G

STEP 2

Select prefix (combination). Refer to the specifications table on page 1 and the prefix table on page 2, respect the indicated power level.

Example: NBET

STEP 3

Select suffix (combination) if required. Refer to the suffix table on page 2, respect the indicated power level.

Example: MB

STEP 4

Select voltage. Refer to standard voltages on page 3.

Example: 115/50

STEP 5

Final catalogue / ordering number.

Example:

NBETB307C048GMB 115/50

OPTIONS & ACCESSORIES

catalogue number	spare part kit no. ⁽¹⁾		mounting bracket
	~	=	
NB B 307C018	C118258	C118258	115054-001 ⁽²⁾
NB B 307C048	C118258	C118258	115054-001 ⁽²⁾
NB B 307C078	C118258	C118258	115054-001 ⁽²⁾
NA B 307C008	C118258	C118258	115054-001 ⁽²⁾
NA B 307C038	C118258	C118258	115054-001 ⁽²⁾
NA B 307C068	C118258	C118258	115054-001 ⁽²⁾
NB B 307C018V	C142072	C142072	115054-001 ⁽²⁾
NB B 307C048V	C142072	C142072	115054-001 ⁽²⁾
NB B 307C078V	C142072	C142072	115054-001 ⁽²⁾
NA B 307C008V	C142072	C142072	115054-001 ⁽²⁾
NA B 307C038V	C142072	C142072	115054-001 ⁽²⁾
NA B 307C068V	C142072	C142072	115054-001 ⁽²⁾

⁽¹⁾ Standard prefixes/suffixes are also applicable to kits

⁽²⁾ Mounting holes in enclosure

ORDERING EXAMPLES:

NBET	B	307C018	U	24V / DC
NAET	B	307C038	VF	24V / DC
NBET	B	307C048	GMB	230V / 50 Hz
NAET	B	307C068	UMO	230V / 50 Hz
NBET	B	307C078	FCO	230V / 50 Hz

prefix — pipe thread — basic number — voltage — suffix

ORDERING EXAMPLES KITS:

C118258	U
C142072	G

prefix — voltage

All leaflets are available on: www.asconumatics.eu

EXPLANATION OF TEMPERATURE RANGES OF SOLENOID VALVES

Valve temperature range	The valve temperature range (TS) is determined by the selected seal material, the temperature range for proper operation of the valve and sometimes by the fluid (e.g. steam)
Operator ambient temperature range	The operator ambient temperature range is determined by the selected power level and the safety code
Total temperature range	The temperature range of the complete solenoid valve is determined by the limitations of both temperature ranges above

ELECTRICAL CHARACTERISTICS

Coil insulation class	F
Electrical safety	IEC 335
Standard voltages	DC (=) 24V - 48V AC (~) 24V - 48V - 115V - 230V/50Hz; Other voltages and 60Hz are available on request

prefix option	power ratings				operator ambient temperature range (C°) ⁽¹⁾	safety code	electrical enclosure protection (EN 60529)	replacement coil / kit		type ⁽³⁾
	inrush ~ (VA)	holding ~ (VA) (W)		hot/cold = (W)				~ 230V/50/60 Hz	= 24V/DC	
		(VA)	(W)							
Basic power (BP)										
NB	-	-	-	8,2/10	-40 to +50	II2G Ex d IIC T5, II2D Ex t IIIC	IP66, cast iron	-	108429-001	01/02/03
NB	17,05	17,05	17,05 ⁽²⁾	-	-40 to +50	II2G Ex d IIC T4, II2D Ex t IIIC	IP66, cast iron	118227-007	-	01/02/03
NA	-	-	-	8,2/10	-40 to +50	II2G Ex d IIC T4, II2D Ex t IIIC	IP66, St. Steel	-	108429-001	01/02/03
NA	17,05	17,05	17,05 ⁽²⁾	-	-40 to +50	II2G Ex d IIC T3 II2D Ex t IIIC	IP66, St. Steel	129243-007	-	01/02/03

⁽¹⁾ Temperature range can be limited by sealings

⁽²⁾ Rectified Coil

⁽³⁾ Refer to the dimensional drawings on page 4

ADDITIONAL OPTIONS

- 1/2" NPT and M20 x 1,5 (prefix "ET") conduit entry available for both housings
- Voltage suppressors are available on DC constructions

INSTALLATION

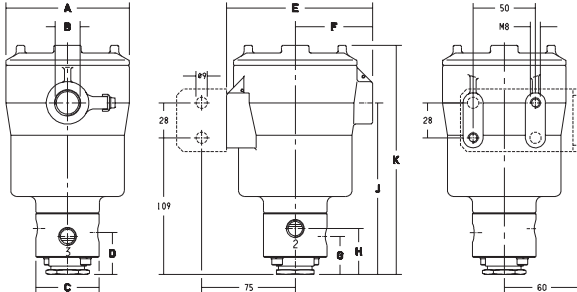
- Multi language installation/maintenance instructions are included with each valve
- The solenoid valves can be mounted in any position without affecting operation
- Threaded pipe connection identifier is B = NPT (ANSI 1.20.3)
- Declarations of conformity are available on request

DIMENSIONS (mm), WEIGHT (kg)



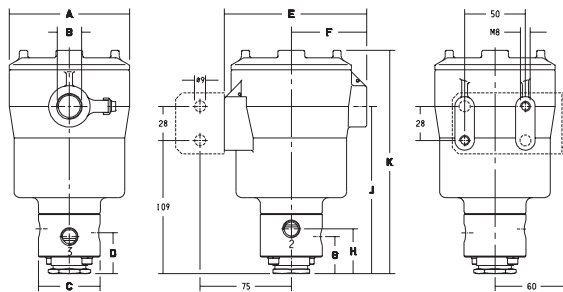
TYPE 01:
Stainless steel / Cast Iron
NA / NB: EN/IEC 60079-1, 61241-1

B307C008 / C018



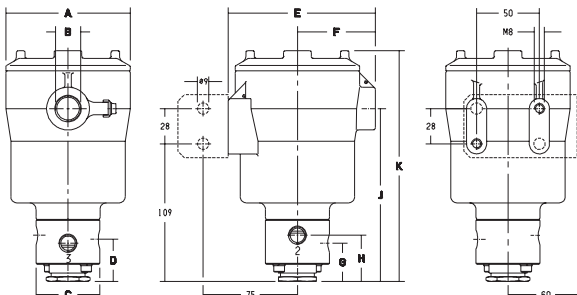
TYPE 02:
Stainless steel / Cast Iron
NA / NB: EN/IEC 60079-1, 61241-1

B307C038 / C048

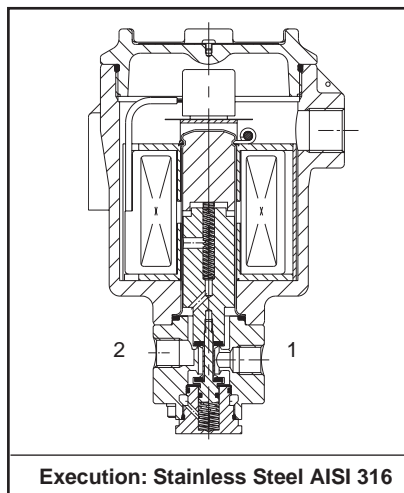


TYPE 03:
Stainless steel / Cast Iron
NA / NB: EN/IEC 60079-1, 61241-1

B307C068 / C078

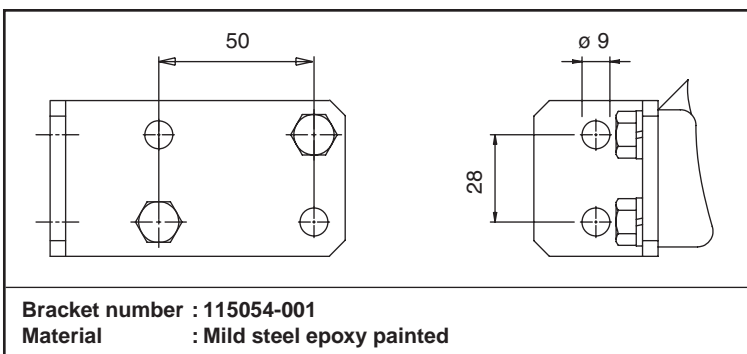


SECTIONAL DRAWING



type	prefix/option	power level	A	B		C	D	E	F	G	H	J	K	weight	
				NA, NB	NAET, NBET									NA	NB
01	NA, NB	BP	99	1/2 NPT	M20 x 1,5	51	33	117	55	30	37	137	185	4,90 kg	4,50 kg
02	NA, NB	BP	99	1/2 NPT	M20 x 1,5	51	33	117	55	39	37	137	185	4,90 kg	4,50 kg
03	NA, NB	BP	99	1/2 NPT	M20 x 1,5	64	33	117	55	33	33	137	185	4,90 kg	4,50 kg

MOUNTING BRACKET



All leaflets are available on: www.asconumatics.eu