

FEATURES

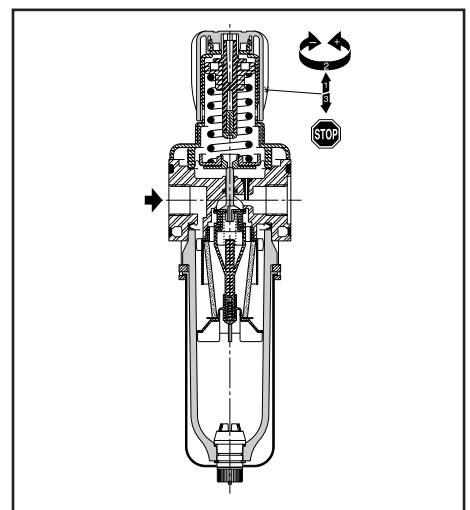
- Resistance to high temperatures (+50°C)
- Resistance to impact, UV light and solvents
- Working pressures up to 16 bar
- Bowl always locked in place during operation
- This material exists in version intended for use in potentially explosive atmospheres caused by gases or dusts - ATEX directive 94/9/EC (see ATEX option)

GENERAL

| | |
|----------------------------------|---|
| Fluid | Compressed air and neutral gas |
| Ports | G1/4-G3/8-G1/2 or NPT1/4-NPT3/8-NPT1/2 |
| Max. inlet pressure | 16 bar at 50°C |
| Controlled pressure | 0,5 to 10 bar (other adjustment range, in option) |
| Filtering capacity | 5 µm and 5 µm (10 and 50 µm on request) |
| Ambient temperature | 0° to +50°C |
| Max. flow (Qv at 6.3 bar) | See Specifications and charts |
| Regulator | Self-relieving |

CONSTRUCTION

| | |
|------------------------------|--|
| Body | Painted zamak |
| Metal bowl | Painted aluminium bowl |
| Filtering element | PE (polyethylene) |
| Seals | NBR (nitrile) |
| Condensate drain | Semi-automatic (operating pressure: min. 1.2 to 10/16 bar) or pipable automatic (operating pressure: 2 to 10 bar) or manual drain as option. |
| Regulating device | Rolling diaphragm (very low hysteresis: 0,2 bar) |
| Pressure control knob | Locking "pull-turn-push" |



SPECIFICATIONS

ATEX execution: See page 3

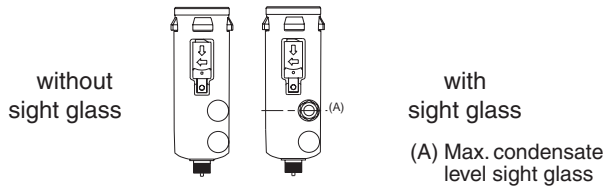
| port size | MODULAIR range | bowl capacity (cm³) | filtering capacity (µm) | controlled pressure (bar) | maximum flow at 6,3 bar pressure setpoint and ΔP of 1 bar/setpoint | | basic catalogue number | | | | |
|--|---------------------|---------------------|-------------------------|---------------------------|--|----|------------------------|----------|-----------------|----------|----------|
| | | | | | | | FILTER/REGULATOR | | | | |
| | | | | | | | semi-automatic drain | | automatic drain | | |
| gauge dia. | WITH 0-12 bar gauge | WITHOUT gauge | WITH 0-12 bar gauge | WITHOUT gauge | | | | | | | |
| 25 µm filtration- 0,5 - 10 bar adjustment - polycarbonate bowl WITH protector ⁽¹⁾ | | | | | | | | | | | |
| G1/4 | 112 | 114 | 25 | 0,5-10 | 1800 | 30 | 50 | 34203086 | 34203080 | 34203135 | 34203129 |
| G3/8 | 112 | 114 | 25 | 0,5-10 | 3000 | 50 | 50 | 34203087 | 34203081 | 34203136 | 34203130 |
| G1/2 | 112 | 114 | 25 | 0,5-10 | 3900 | 65 | 50 | 34203088 | 34203082 | 34203137 | 34203131 |
| 5 µm filtration- 0,5 - 10 bar adjustment - polycarbonate bowl WITH protector ⁽¹⁾ | | | | | | | | | | | |
| G1/4 | 112 | 114 | 5 | 0,5-10 | 1500 | 25 | 50 | 34203098 | 34203092 | 34203147 | 34203141 |
| G3/8 | 112 | 114 | 5 | 0,5-10 | 2500 | 42 | 50 | 34203099 | 34203093 | 34203148 | 34203142 |
| G1/2 | 112 | 114 | 5 | 0,5-10 | 2500 | 42 | 50 | 34203100 | 34203094 | 34203149 | 34203143 |
| 25 µm filtration- 0,5 - 10 bar adjustment - polycarbonate bowl WITHOUT protector ⁽²⁾ | | | | | | | | | | | |
| G1/4 | 112 | 114 | 25 | 0,5-10 | 1800 | 30 | 50 | 34203372 | 34203340 | 34203378 | 34203375 |
| G3/8 | 112 | 114 | 25 | 0,5-10 | 3000 | 50 | 50 | 34203373 | 34203341 | 34203379 | 34203376 |
| G1/2 | 112 | 114 | 25 | 0,5-10 | 3900 | 65 | 50 | 34203374 | 34203342 | 34203380 | 34203377 |
| 25 µm filtration- 0,5 - 10 bar adjustment - polycarbonate bowl WITH protector ⁽¹⁾ | | | | | | | | | | | |
| NPT1/4 | 112 | 114 | 25 | 0,5-10 | 1800 | 30 | 50 | 34203089 | 34203083 | 34203138 | 34203132 |
| NPT3/8 | 112 | 114 | 25 | 0,5-10 | 3000 | 50 | 50 | 34203090 | 34203084 | 34203139 | 34203133 |
| NPT1/2 | 112 | 114 | 25 | 0,5-10 | 3900 | 65 | 50 | 34203091 | 34203085 | 34203140 | 34203134 |
| 5 µm filtration- 0,5 - 10 bar adjustment - polycarbonate bowl WITH protector ⁽¹⁾ | | | | | | | | | | | |
| NPT1/4 | 112 | 114 | 5 | 0,5-10 | 1500 | 25 | 50 | 34203101 | 34203095 | 34203150 | 34203144 |
| NPT3/8 | 112 | 114 | 5 | 0,5-10 | 2500 | 42 | 50 | 34203102 | 34203096 | 34203151 | 34203145 |
| NPT1/2 | 112 | 114 | 5 | 0,5-10 | 2500 | 42 | 50 | 34203103 | 34203097 | 34203152 | 34203146 |
| 25 µm filtration- 0,5 - 10 bar adjustment - polycarbonate bowl WITHOUT protector ⁽²⁾ | | | | | | | | | | | |
| NPT1/4 | 112 | 114 | 25 | 0,5-10 | 1800 | 30 | 50 | 34203465 | 34203343 | 34203462 | 34203459 |
| NPT3/8 | 112 | 114 | 25 | 0,5-10 | 3000 | 50 | 50 | 34203466 | 34203344 | 34203463 | 34203460 |
| NPT1/2 | 112 | 114 | 25 | 0,5-10 | 3900 | 65 | 50 | 34203467 | 34203345 | 34203464 | 34203461 |

⁽¹⁾ ATEX 94/9/EC: Usable for explosion group ≤ IIC (zone 1-21), see additional options

⁽²⁾ ATEX 94/9/EC: Usable for explosion group ≤ IIB (zone 1-21), see additional options

All leaflets are available on: www.asconumatics.eu

SPECIFICATIONS METAL BOWL (1)



ATEX execution: See page 3

| MODULAIR range | port size | bowl capacity (cm ³) | filtering capacity (µm) | controlled pressure (bar) | maximum flow (at 6.3 bar pressure setpoint and ΔP of 1 bar / setpoint) | | basic catalogue number | | | | |
|--|---------------------|----------------------------------|-------------------------|---------------------------|--|----|------------------------|----------|----------|---------------------|--|
| | | | | | | | FILTER/REGULATOR | | | | |
| | | | | | | | Semi-automatic drain | | | Automatic drain | |
| gauge dia. | WITH 0-12 bar gauge | WITHOUT gauge | WITH 0-12 bar gauge | WITHOUT gauge | | | | | | | |
| Metal bowl WITHOUT sight glass - 25 µm filtration - adjustment 0,5 - 10 bar (1) | | | | | | | | | | | |
| 112 | G1/4 | 114 | 25 | 0,5-10 | 1800 | 30 | 50 | 34203176 | 34203170 | option : 662539 (3) | |
| | G3/8 | 114 | 25 | 0,5-10 | 3000 | 50 | 50 | 34203177 | 34203171 | | |
| | G1/2 | 114 | 25 | 0,5-10 | 3900 | 65 | 50 | 34203178 | 34203172 | | |
| Metal bowl WITH sight glass - 25 µm filtration - adjustment 0,5 - 10 bar (1) | | | | | | | | | | | |
| 112 | G1/4 | 114 | 25 | 0,5-10 | 1800 | 30 | 50 | 34203906 | 34203903 | option : 662539 (3) | |
| | G3/8 | 114 | 25 | 0,5-10 | 3000 | 50 | 50 | 34203907 | 34203904 | | |
| | G1/2 | 114 | 25 | 0,5-10 | 3900 | 65 | 50 | 34203908 | 34203905 | | |
| Metal bowl WITHOUT sight glass - 5 µm filtration - adjustment 0,5 - 10 bar (1) | | | | | | | | | | | |
| 112 | G1/4 | 114 | 5 | 0,5-10 | 1500 | 25 | 50 | 34203188 | 34203182 | option : 662539 (3) | |
| | G3/8 | 114 | 5 | 0,5-10 | 2500 | 42 | 50 | 34203189 | 34203183 | | |
| | G1/2 | 114 | 5 | 0,5-10 | 2500 | 42 | 50 | 34203190 | 34203184 | | |
| Metal bowl WITH sight glass - 5 µm filtration - adjustment 0,5 - 10 bar (1) | | | | | | | | | | | |
| 112 | G1/4 | 114 | 5 | 0,5-10 | 1500 | 25 | 50 | 34203891 | 34203888 | option : 662539 (3) | |
| | G3/8 | 114 | 5 | 0,5-10 | 2500 | 42 | 50 | 34203892 | 34203889 | | |
| | G1/2 | 114 | 5 | 0,5-10 | 2500 | 42 | 50 | 34203893 | 34203890 | | |
| Metal bowl WITHOUT sight glass - 25 µm filtration - adjustment 0,5 - 10 bar (1) | | | | | | | | | | | |
| 112 | NPT1/4 | 114 | 25 | 0,5-10 | 1800 | 30 | 50 | 34203179 | 34203173 | option : 662539 (3) | |
| | NPT3/8 | 114 | 25 | 0,5-10 | 3000 | 50 | 50 | 34203180 | 34203174 | | |
| | NPT1/2 | 114 | 25 | 0,5-10 | 3900 | 65 | 50 | 34203181 | 34203175 | | |
| Metal bowl WITHOUT sight glass - 5 µm filtration - adjustment 0,5 - 10 bar (1) | | | | | | | | | | | |
| 112 | NPT1/4 | 114 | 5 | 0,5-10 | 1500 | 25 | 50 | 34203191 | 34203185 | option : 662539 (3) | |
| | NPT3/8 | 114 | 5 | 0,5-10 | 2500 | 42 | 50 | 34203192 | 34203186 | | |
| | NPT1/2 | 114 | 5 | 0,5-10 | 2500 | 42 | 50 | 34203193 | 34203187 | | |

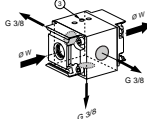
(1) ATEX 94/9/EC: Suitable for explosion group ≤ IIC (zone 1-21)

(2) ATEX 94/9/EC: Suitable for explosion group ≤ IIB (zone 1-21)

(3) Version with automatic drain: add option code of standard version with semi-automatic drain, e.g. 34203908 + 662539

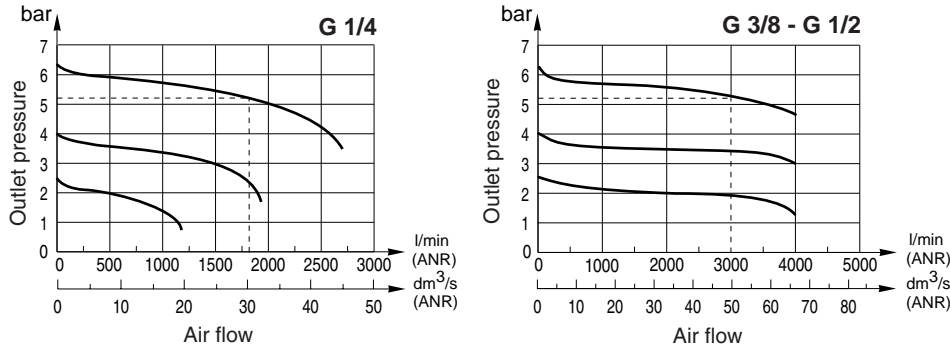
ACCESSORIES

| DESCRIPTION | CODE |
|--------------------------------------|-----------------|
| Two-part assembly kit | 34303001 |
| Upper mounting ring | 34300004 |
| Upper mounting bracket | 34300017 |
| Side mounting brackets | 34303003 |
| 50 mm dia. pressure gauge (0-12 bar) | 34200062 |
| By-pass module (4) | |
| | G1/4 34203004 |
| | G3/8 34203005 |
| | G1/2 34203006 |
| | NPT1/4 34203026 |
| | NPT3/8 34203027 |
| | NPT1/2 34203028 |



(4) For installation, it is also necessary to provide for a two-part assembly kit, code: 34303001 (Modulair 112 range)

PRESSURE LOSS VERSUS AIR FLOW CURVES



ADDITIONAL OPTIONS

- Other pipe threads are available on request
- Metal bowl equipped with semi-automatic, automatic or manual drain
- Polyamide bowl with protector, for use in solvent-laden environments
- Manual drain on metal bowl **WITHOUT** sight glass: add option code **662563** to code of standard version with semi-automatic drain, e.g. 34203178 + 662563
- Manual drain on metal bowl **WITH** sight glass: complete code (contact us)
- Filtering capacity: 10 µm, code **662535** / 50 µm, code **662536**
- Key locking device for adjustment knob, attached to knob, supplied on regulator, code: **662554**
- Adjustment range: 0.2 to 3 bar, (provide 40/50 mm dia., 0 - 4 bar pressure gauge)
 0.5 to 12 bar, (provide 50 mm dia., 0 - 16 bar pressure gauge)
- Equipment for use in potentially explosive atmospheres caused by dusts or gases (ATEX Directive 94/9/EC)

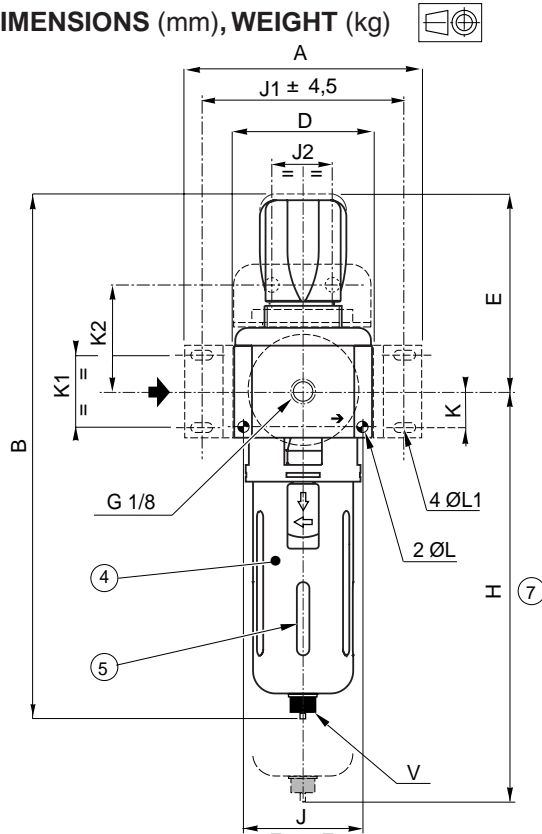
| zones | ex classification | gas group | ATEX option code |
|-------|--------------------------|-------------|--|
| 2-22 | II 3GD c T 85°C (T6) | IIA-IIB-IIC | 612021 (with or without bowl protector) |
| 1-21 | II 2GD c IIB T 85°C (T6) | IIB | 612023 (without bowl protector) |
| 1-21 | II 2GD c IIC T 85°C (T6) | IIC | 612062 (with bowl protector) |



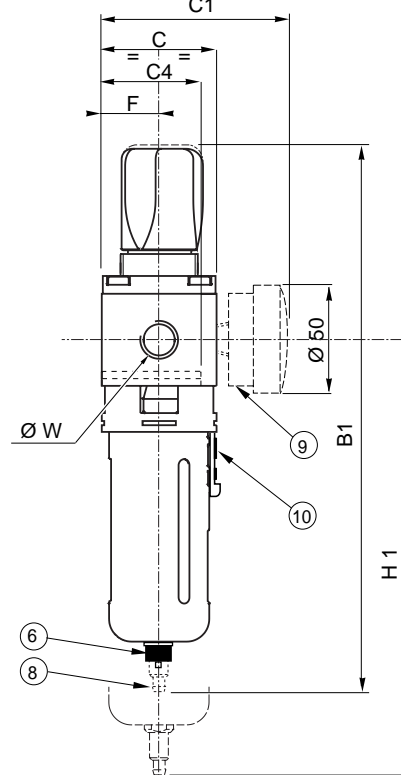
INSTALLATION

- Installation/maintenance instructions are included with each filter/regulator
- Filter/regulator must be installed with the bowl in vertical position
- Air flow direction indicated by arrow
- With a 5 µm filtering element, max. flow is reduced by approx. 15%
- Use an alkaline solution (soapy water) and not a solvent to clean the polycarbonate bowls and sight glasses
- Pipe connection has standard thread according to G (ISO 228/1) or NPT (ANSI 1.20.3)

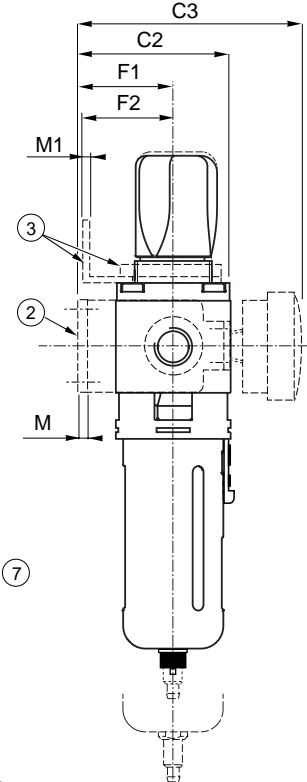
DIMENSIONS (mm), WEIGHT (kg)



Direct frontal mounting ①



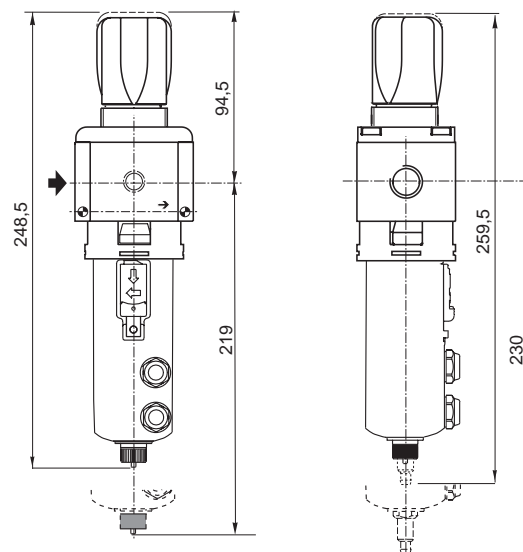
Mounting with bracket(s)



| range | MODULAIR |
|-------------|--|
| | 112 |
| Ø W | 1/4 3/8 1/2 |
| bowl (cl) | 12 |
| A | 112 |
| B | 251 |
| B1 | 262 |
| C | 55 |
| C1 | 87 |
| C2 | 73,5 |
| C3 | 105 |
| C4 | 47,5 |
| D | 66 |
| E | 94,5 |
| F | 27,5 |
| F1 | 46 |
| F2 | 42 |
| H | 221,5 |
| H1 | 232,5 |
| J | 57 |
| J1 | 96 |
| J2 | 29 |
| K | 17 |
| K1 | 33,5 |
| K2 | 42,5 |
| ØL | 5,5 |
| ØL1 | 5,5 |
| M | 4 |
| M1 | 2 |
| V | G1/8 |
| Weight (kg) | 0,830 ⁽¹⁾ 0,910 ⁽²⁾ |

- ① Direct frontal mounting: 2 holes of dia. L and depth C4
- ② Mounting with 2 side brackets (accessory)
- ③ Mounting with top bracket and mounting ring (accessory)
- ④ Metal bowl protector with transparent polycarbonate bowl
- ⑤ Condensate level window
- ⑥ G 1/8 connectable semi-automatic drain
- ⑦ Clearance necessary for bowl removal
- ⑧ Automatic drain with fitting for connection of 6 mm ID hose
- ⑨ 50 mm dia. pressure gauge
- ⑩ Protector unlocking button

FILTER/REGULATOR WITH METAL BOWL



Other dimensions identical to version with bowl protector

⁽¹⁾ weight without pressure gauge
⁽²⁾ weight with automatic drain

All leaflets are available on: www.asconumatics.eu